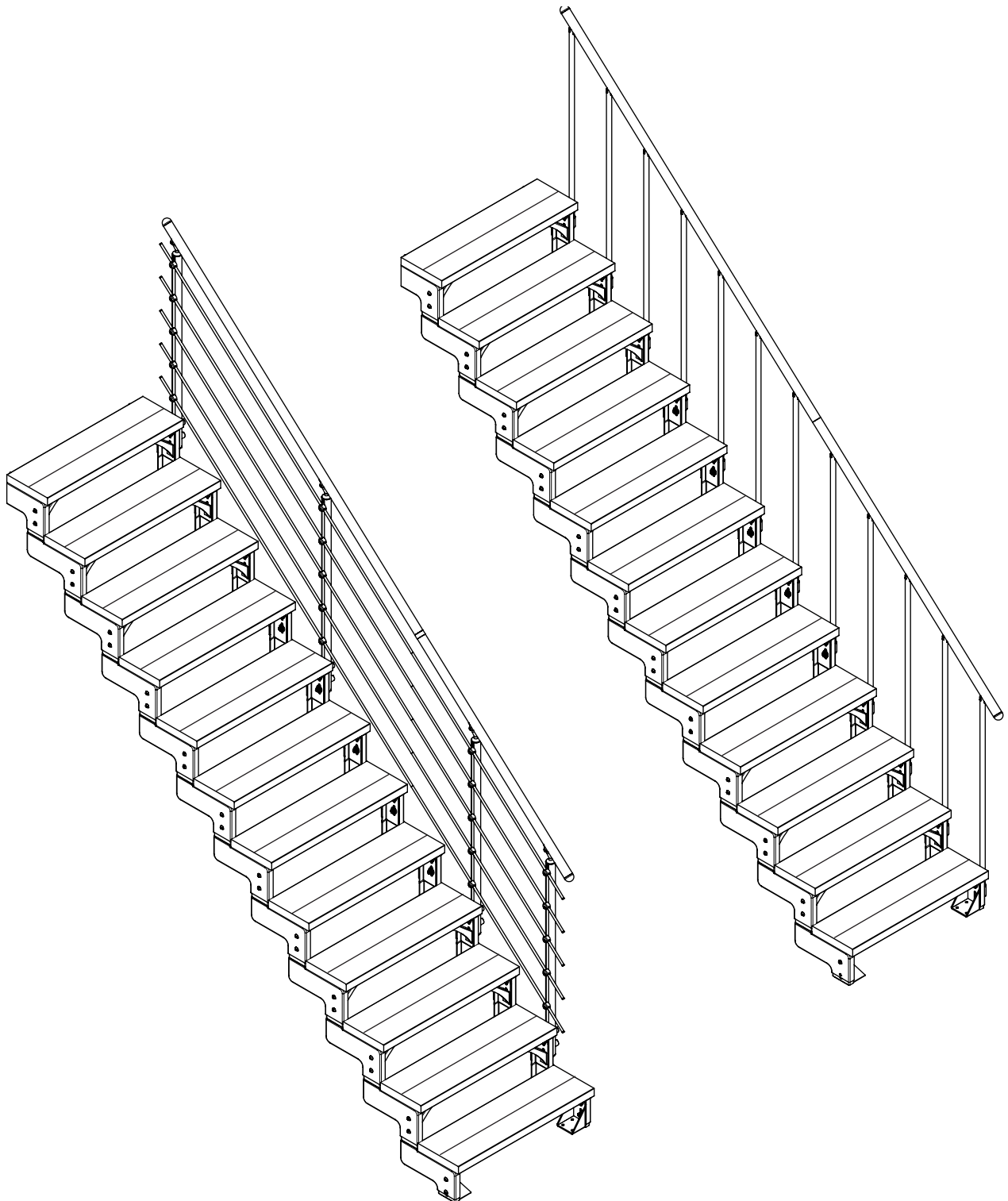


GARDENTOP

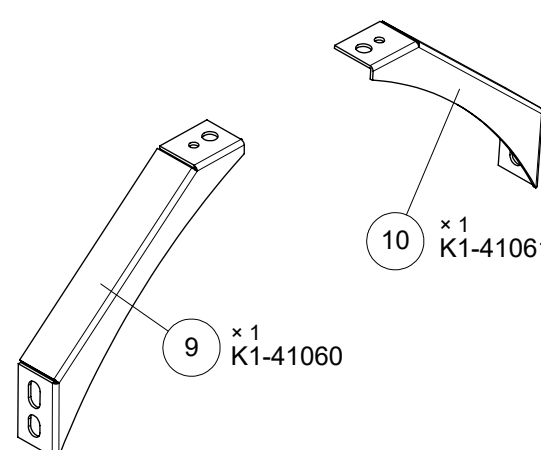






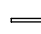





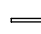





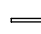
Stufen-Rahmen

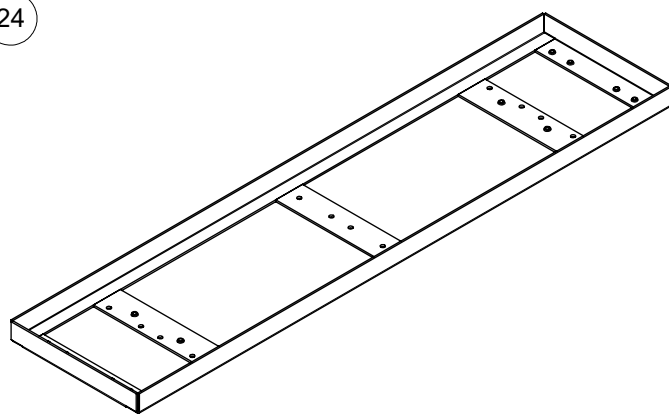
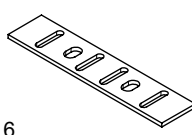
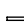



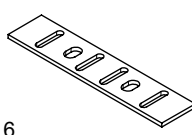
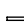



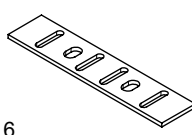
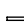



Step frame

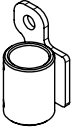
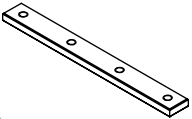
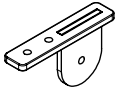

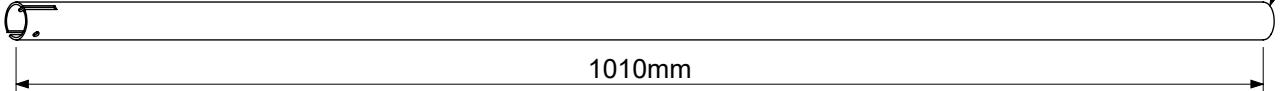





Montageanleitung
Installation instruction


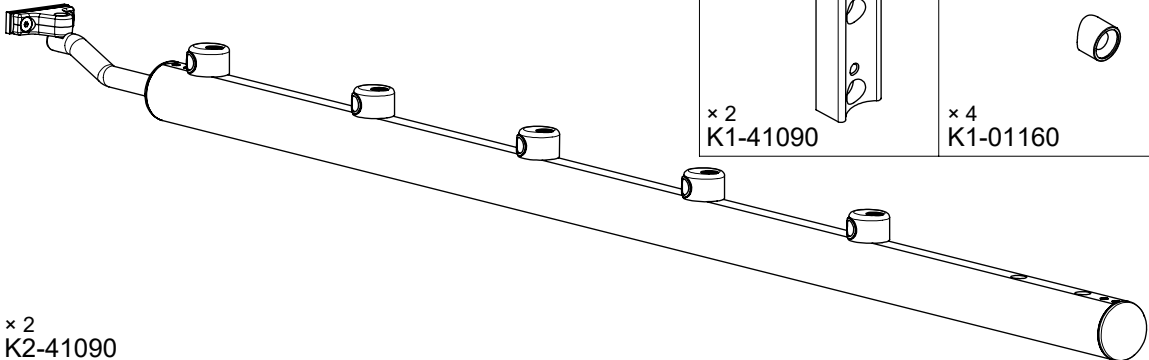



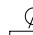





1068015		Starter-Set Start kit			
<p>1 2</p> <p>x 1 K1-41430 x 1 K1-41930</p>		<p>7 8</p> <p>x 1 K1-41911 x 1 K1-41910</p>		<p>5</p> <p>x 2 K2-41900</p>	
<p>6</p> <p>x 2 K1-41940</p>		<p>40</p> <p>x 14 K3-02045 M10x25</p>		<p>41</p> <p>x 2 K3-04110 Ø10</p>	
<p>42</p> <p>x 8 K3-04198 Ø10</p>		<p>43</p> <p>x 14 K3-03051 M10</p>		<p>44</p> <p>x 12 K3-08001 Ø12 x 60</p>	
<p>45</p> <p>x 12 K3-06070 Ø10 x 60</p>		<p>59</p> <p>x 12 K3-06269 Ø6 x 35</p>		<p>63</p> <p>x 4 K3-05022 M8 x 20</p>	
<p>64</p> <p>x 12 K3-04010 Ø10,5</p>					
1068016		Ergänzungs-Set 1 step kit			
<p>3 4</p> <p>x 1 K1-41921 x 1 K1-41920</p>		<p>40</p> <p>x 4 K3-02045 M10 x 25</p>		<p>42</p> <p>x 4 K3-04198 Ø10</p>	
		<p>43</p> <p>x 4 K3-03051 M10</p>		<p>59</p> <p>x 6 K3-06269 Ø6 x 35</p>	

<p>1068020</p>	<p>Stufen-Winkel Step support 1 step</p>						
<p>9 10</p>  <p>9 × 1 K1-41060</p> <p>10 × 1 K1-41061</p>	<div style="display: flex; flex-direction: column;"> <div style="text-align: center;">  <p>If more than 6 steps: Add</p> <p>9 + 10</p> </div> <div style="text-align: center;"> <p>Wenn mehr als 6 Stufen: hinzufügen</p> <p>9 + 10</p> </div> <div style="text-align: center;"> <p>Max 6 Satz sets</p> </div> </div> <table border="1" style="width: 100%; border-collapse: collapse;"> <tr> <td data-bbox="1034 129 1273 358"> <p>40</p>  <p>× 2 K3-02045 M10 x 25</p> </td> <td data-bbox="1273 129 1516 358"> <p>43</p>  <p>× 2 K3-03051 M10</p> </td> </tr> <tr> <td data-bbox="1034 358 1273 586"> <p>57</p>  <p>× 2 K3-02386 M18 x 40</p> </td> <td data-bbox="1273 358 1516 586"> <p>59</p>  <p>× 1 K3-06269 Ø6 x 35</p> </td> </tr> <tr> <td data-bbox="1034 586 1273 819"> <p>61</p>  <p>× 2 K3-03047 M8</p> </td> <td data-bbox="1273 586 1516 819"> <p>67</p>  <p>× 2 K3-04099 Ø10</p> </td> </tr> </table>	<p>40</p>  <p>× 2 K3-02045 M10 x 25</p>	<p>43</p>  <p>× 2 K3-03051 M10</p>	<p>57</p>  <p>× 2 K3-02386 M18 x 40</p>	<p>59</p>  <p>× 1 K3-06269 Ø6 x 35</p>	<p>61</p>  <p>× 2 K3-03047 M8</p>	<p>67</p>  <p>× 2 K3-04099 Ø10</p>
<p>40</p>  <p>× 2 K3-02045 M10 x 25</p>	<p>43</p>  <p>× 2 K3-03051 M10</p>						
<p>57</p>  <p>× 2 K3-02386 M18 x 40</p>	<p>59</p>  <p>× 1 K3-06269 Ø6 x 35</p>						
<p>61</p>  <p>× 2 K3-03047 M8</p>	<p>67</p>  <p>× 2 K3-04099 Ø10</p>						

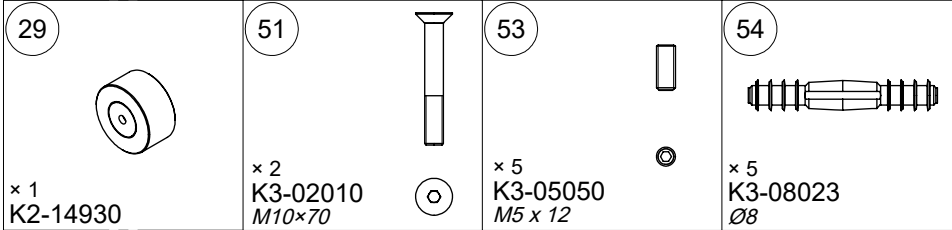
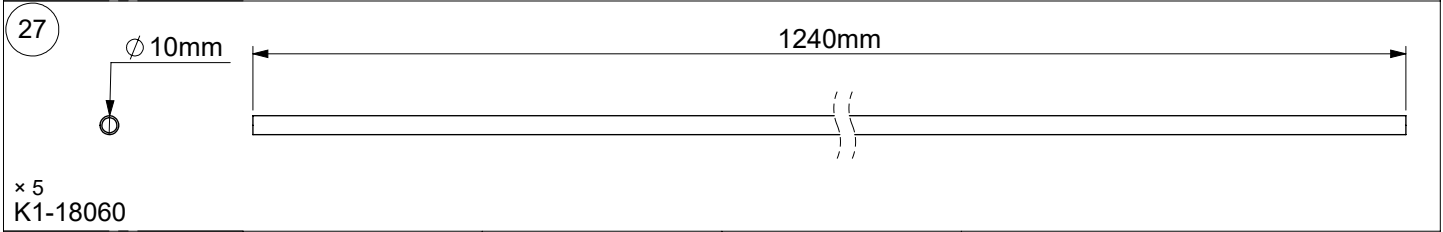
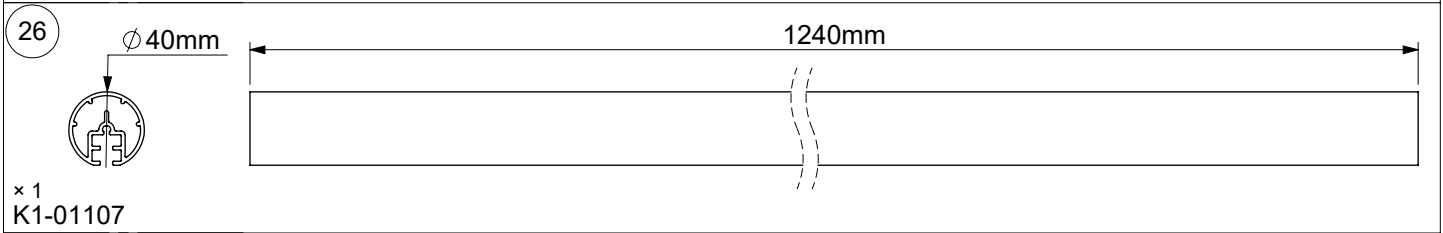
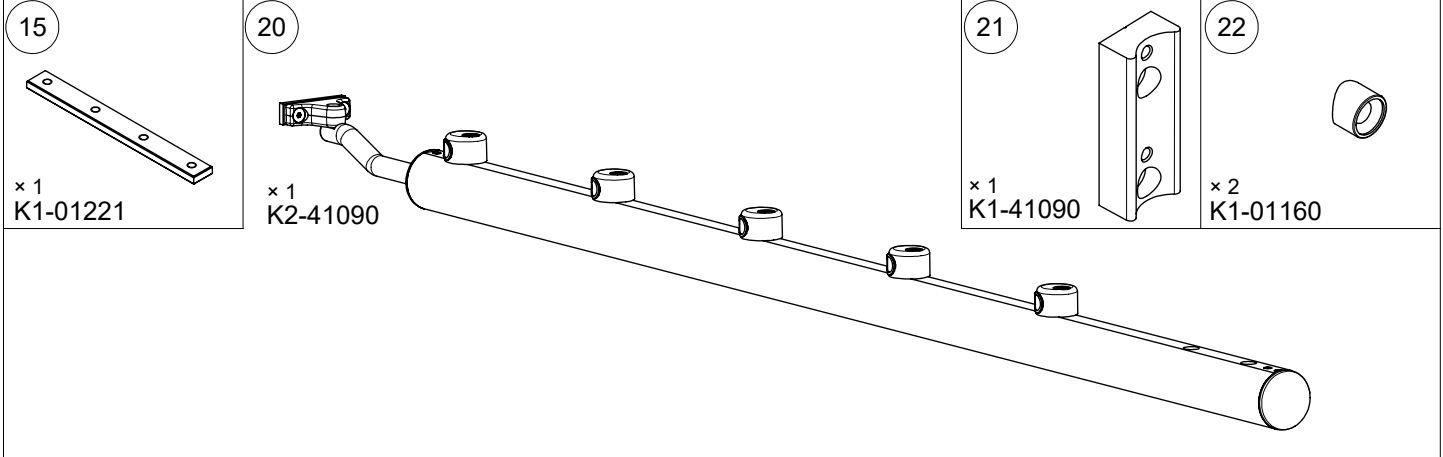
<p>1068061</p>	<p>Stufen-Rahmen Step frame 1 step</p>						
<p>24</p> 	<table border="1" style="width: 100%; border-collapse: collapse;"> <tr> <td data-bbox="794 889 1034 1120"> <p>25</p>  <p>× 6 K1-41129</p> </td> <td data-bbox="1034 889 1273 1120"> <p>55</p>  <p>× 6 K3-04016 Ø6</p> </td> <td data-bbox="1273 889 1516 1120"> <p>62</p>  <p>× 6 K3-02222 M6 x 12</p> </td> </tr> <tr> <td data-bbox="794 1120 1034 1350"></td> <td data-bbox="1034 1120 1273 1350"> <p>63</p>  <p>× 2 K3-02226 M6 x 16</p> </td> <td data-bbox="1273 1120 1516 1350"> <p>64</p>  <p>× 12 K3-06287 Ø5 x 30</p> </td> </tr> </table>	<p>25</p>  <p>× 6 K1-41129</p>	<p>55</p>  <p>× 6 K3-04016 Ø6</p>	<p>62</p>  <p>× 6 K3-02222 M6 x 12</p>		<p>63</p>  <p>× 2 K3-02226 M6 x 16</p>	<p>64</p>  <p>× 12 K3-06287 Ø5 x 30</p>
<p>25</p>  <p>× 6 K1-41129</p>	<p>55</p>  <p>× 6 K3-04016 Ø6</p>	<p>62</p>  <p>× 6 K3-02222 M6 x 12</p>					
	<p>63</p>  <p>× 2 K3-02226 M6 x 16</p>	<p>64</p>  <p>× 12 K3-06287 Ø5 x 30</p>					

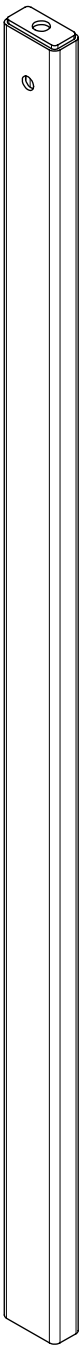
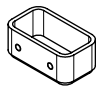







1068031		Steiggeländer für 6 Stufen Standard banister for 6 steps			
<p>14</p>  <p>× 6 K2-41052</p>	<p>15</p>  <p>× 1 K1-01221</p>	<p>16</p>  <p>× 6 K1-02130</p>	<p>17</p>  <p>× 2 K2-04040</p>		
<p>18</p>  <p>× 6 K1-41056</p> <p>1010mm</p> <p>Ø 25mm</p>					
<p>19</p>  <p>× 1 K1-01100</p> <p>Ø 40mm</p> <p>2000mm</p>					
<p>46</p>  <p>× 6 K3-01034 M4 x 30</p>	<p>47</p>  <p>× 6 K3-03004 M4</p>	<p>48</p>  <p>× 12 K3-05006 M6 x 8</p>	<p>68</p>  <p>× 16 K3-05052 M5 x 16</p>		

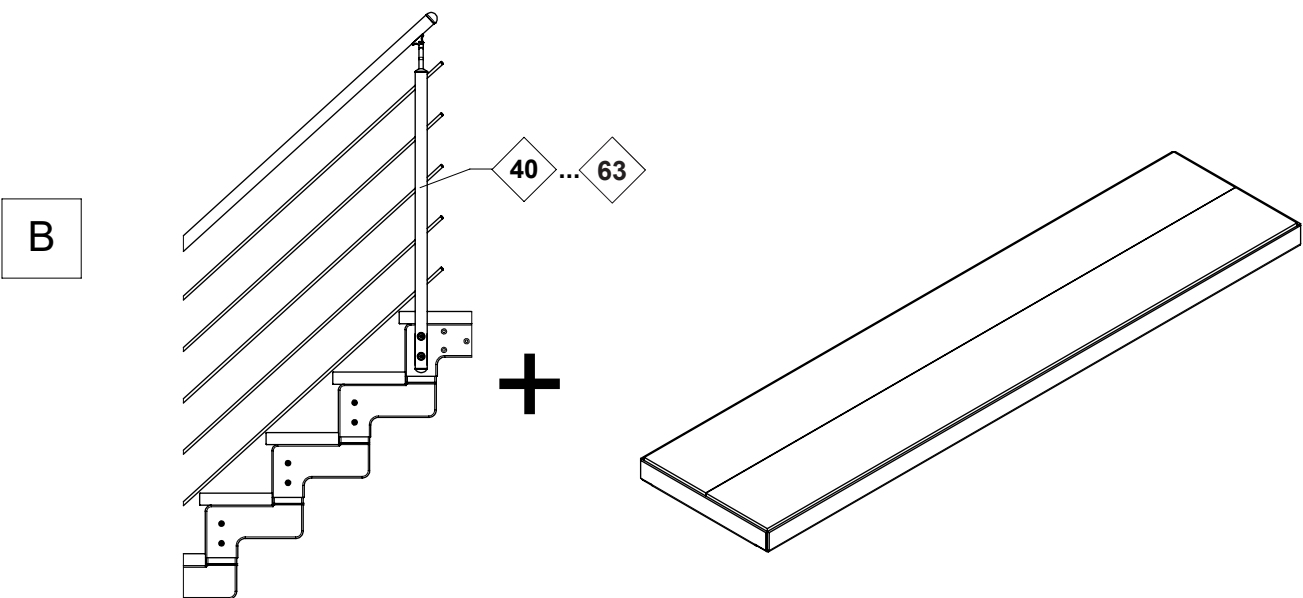
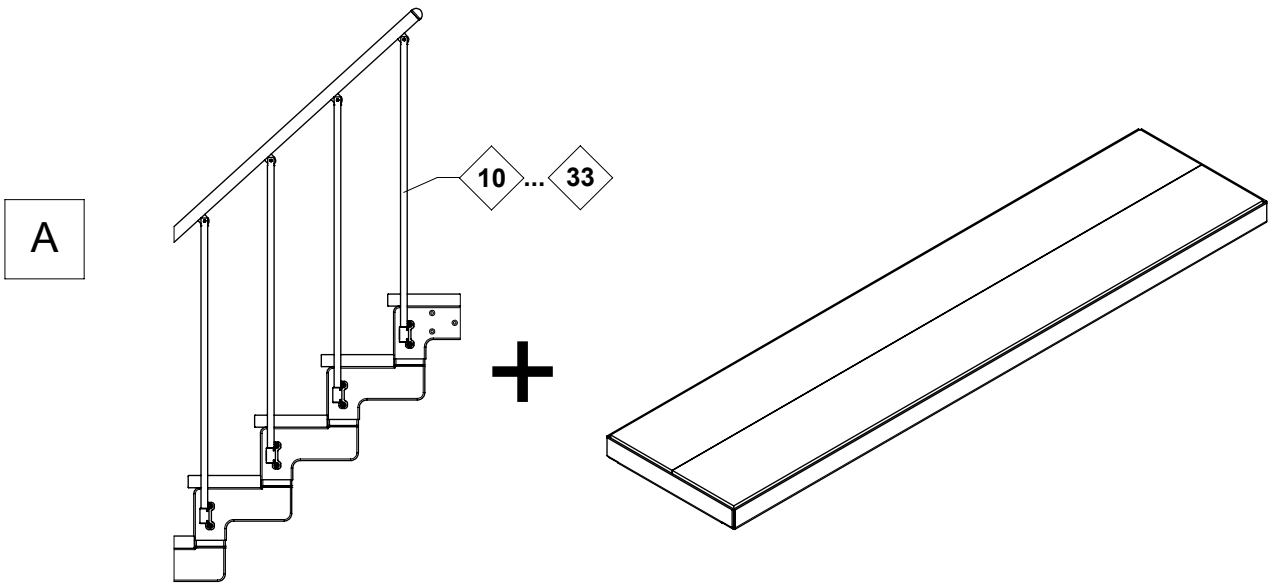
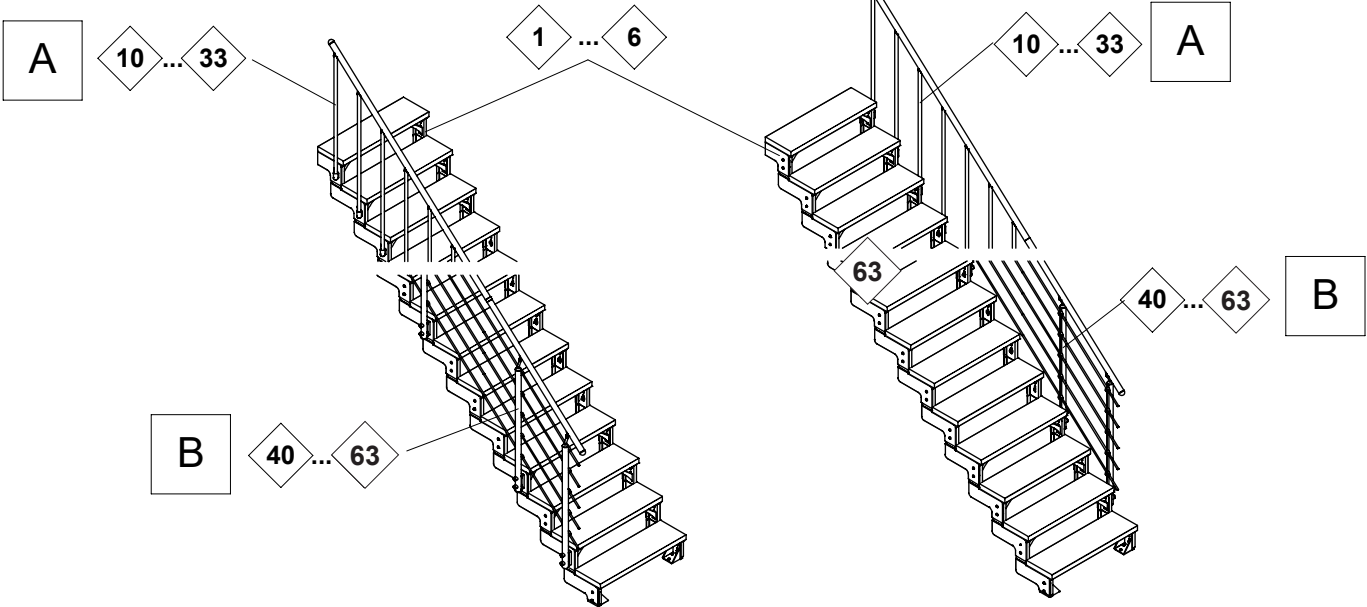
1068040		Steiggeländer PROVA Starter-Set für 4 Stufen PROVA banister start for 4 steps			
<p>17</p>  <p>× 2 K2-04040</p>	<p>20</p>  <p>× 2 K2-41090</p>			<p>21</p>  <p>× 2 K1-41090</p>	<p>22</p>  <p>× 4 K1-01160</p>
<p>26</p>  <p>× 1 K1-01107</p> <p>Ø 40mm</p> <p>1240mm</p>					
<p>27</p>  <p>× 5 K1-18060</p> <p>Ø 10mm</p> <p>1240mm</p>					
<p>28</p>  <p>× 10 K1-01010</p>	<p>29</p>  <p>× 1 K2-14930</p>	<p>51</p>  <p>× 4 K3-02010 M10 x 70</p>			

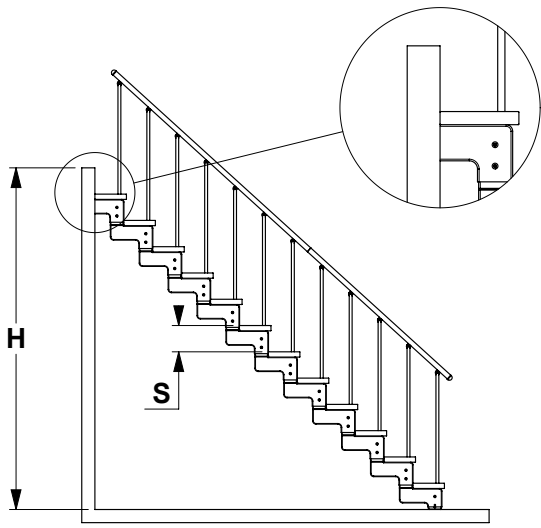
1068041

Steiggeländer PROVA Ergänzungs-Set für 4 Stufen
PROVA banister extension for 4 steps

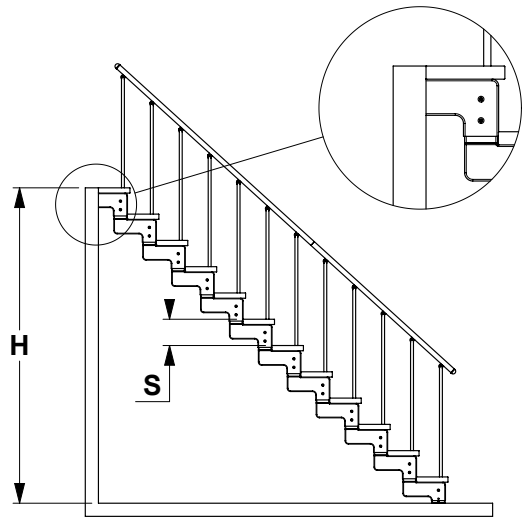


1068098		Unterstützung Support			OPTION	
<p>24</p>  <p>× 1 K1-41950</p>	<p>26</p>  <p>× 1 K1-41955</p>	<p>27</p>  <p>× 1 K1-41956</p>	<p>41</p>  <p>× 1 K3-04110 Ø10</p>	<p>43</p>  <p>× 1 K3-03051 M10</p>	<p>52</p>  <p>× 1 K3-02375 M10 x 75</p>	
	<p>53</p>  <p>× 2 K3-05007 M5 x 5</p>	<p>54</p>  <p>× 1 K3-08002 Ø8 x 40</p>	<p>55</p>  <p>× 1 K3-06032 Ø6 x 60</p>			

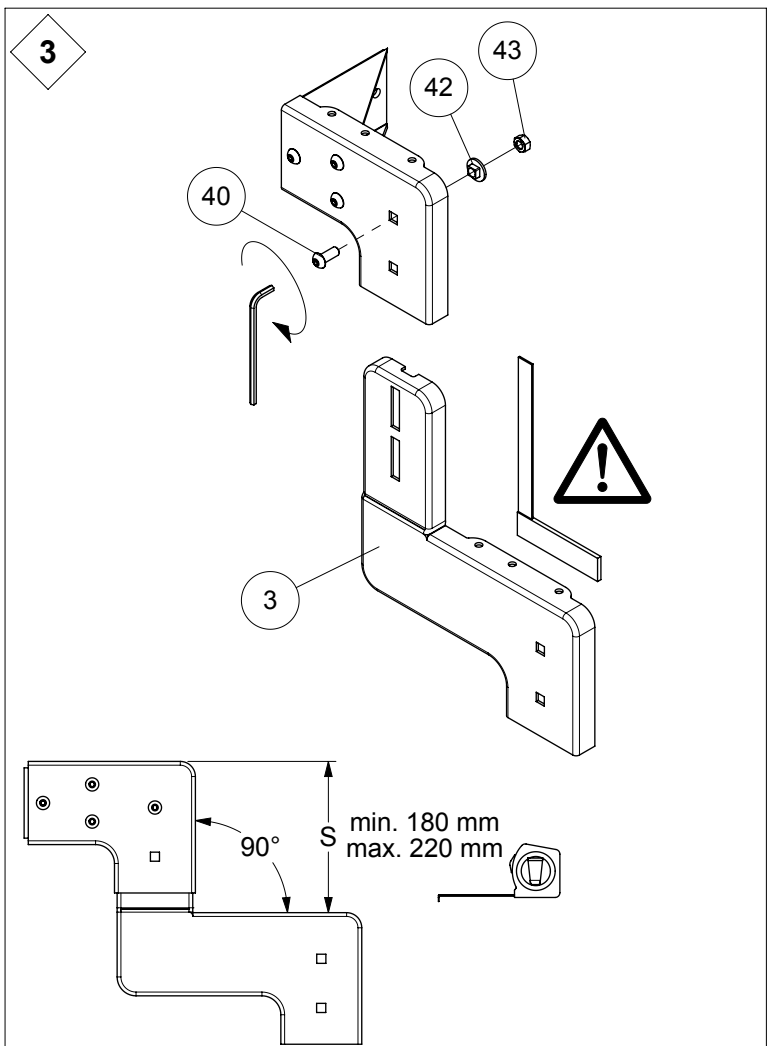
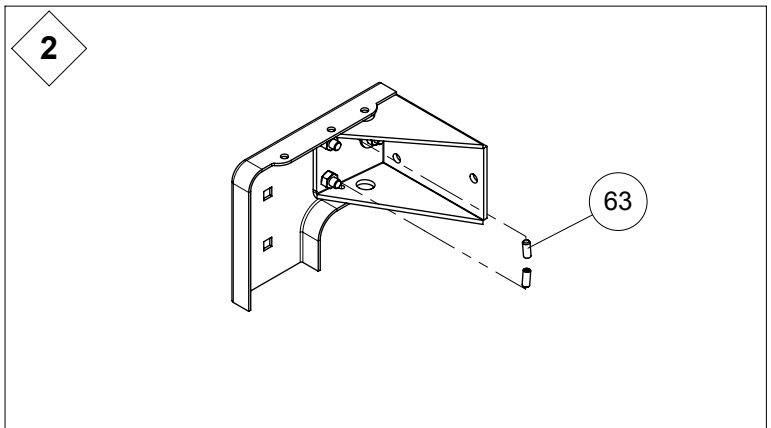
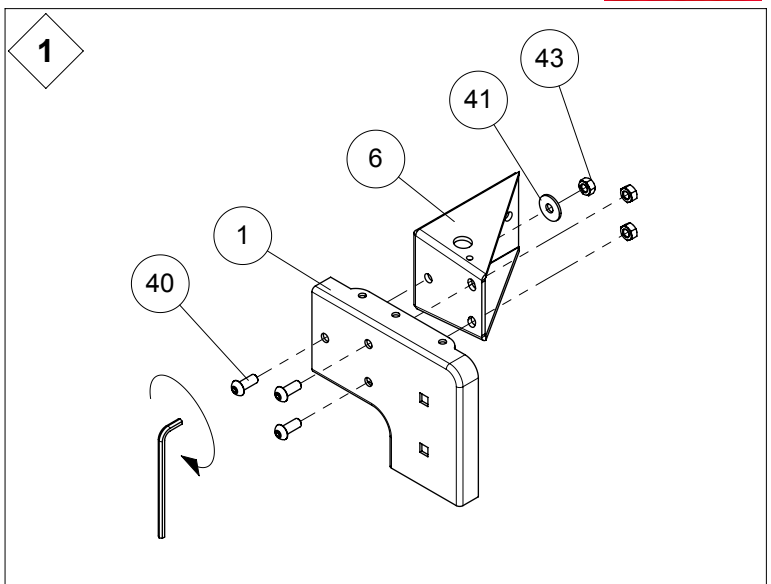


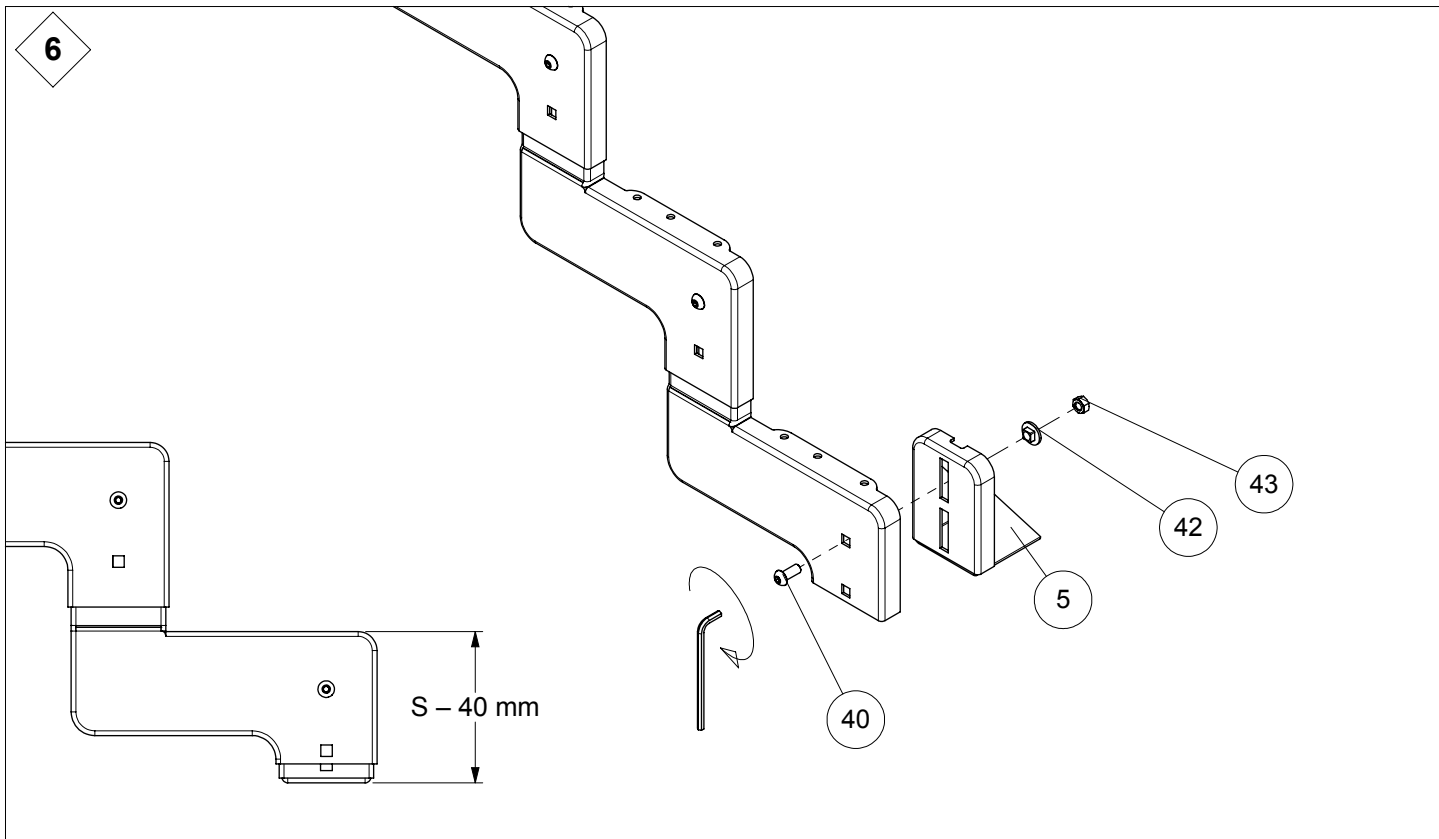
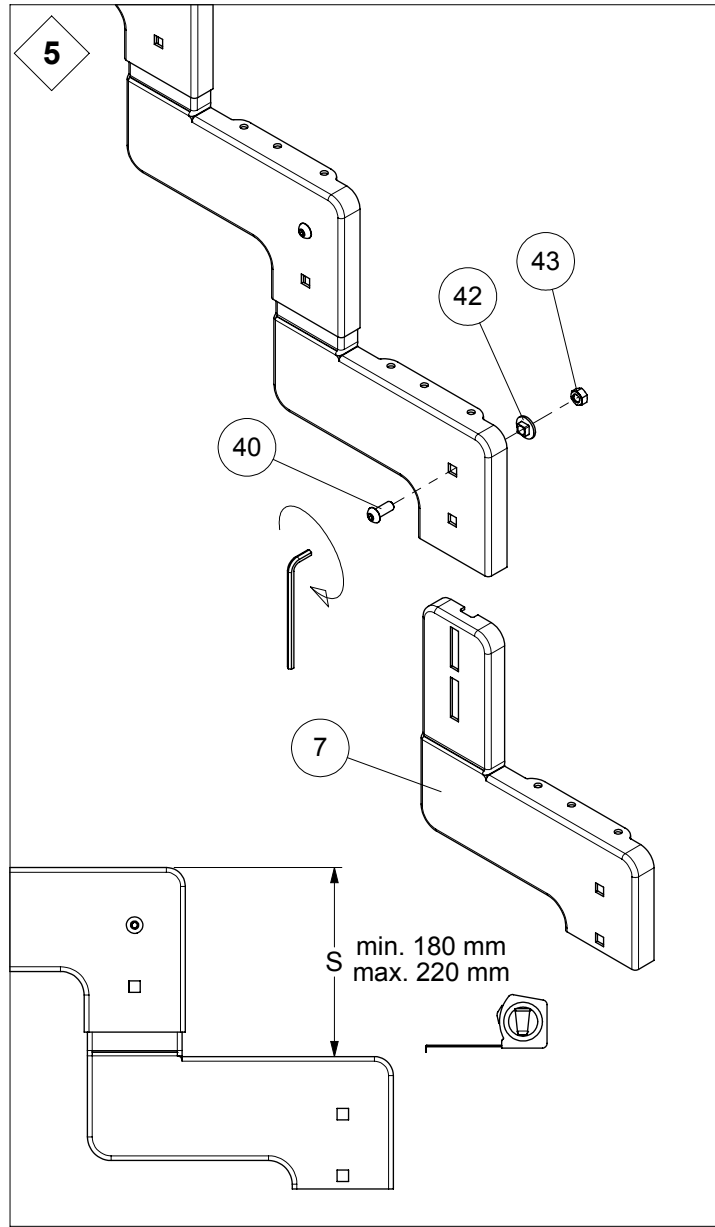
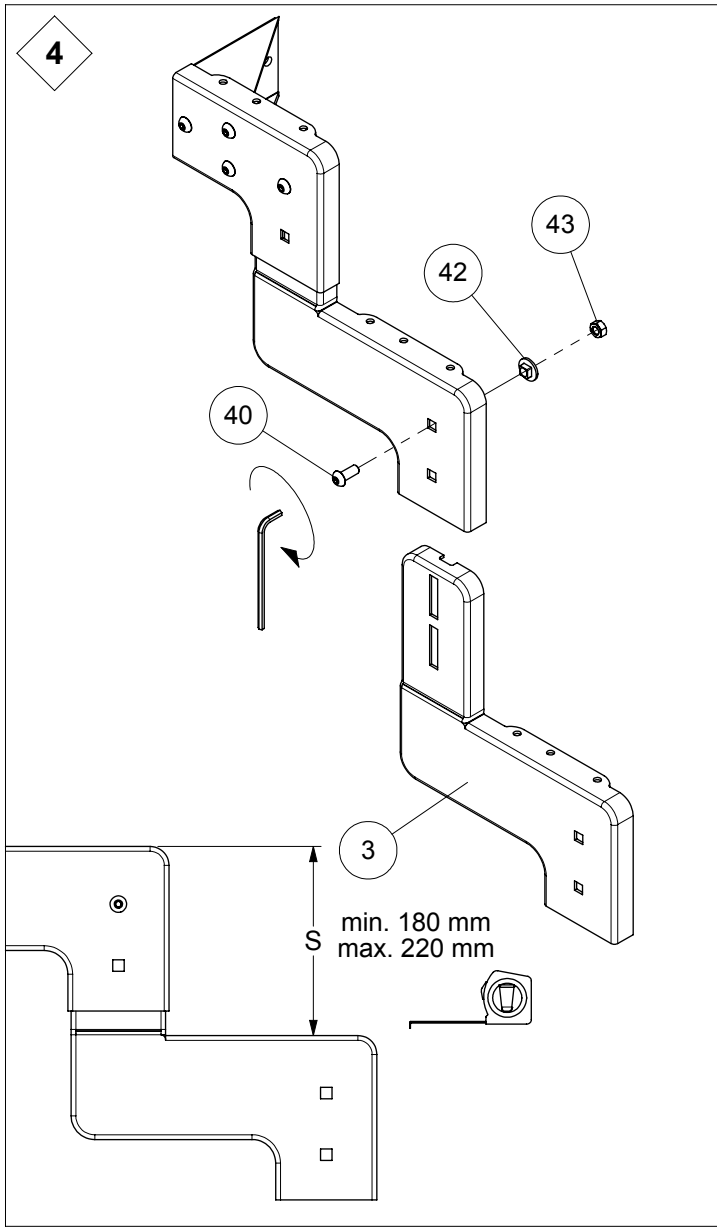


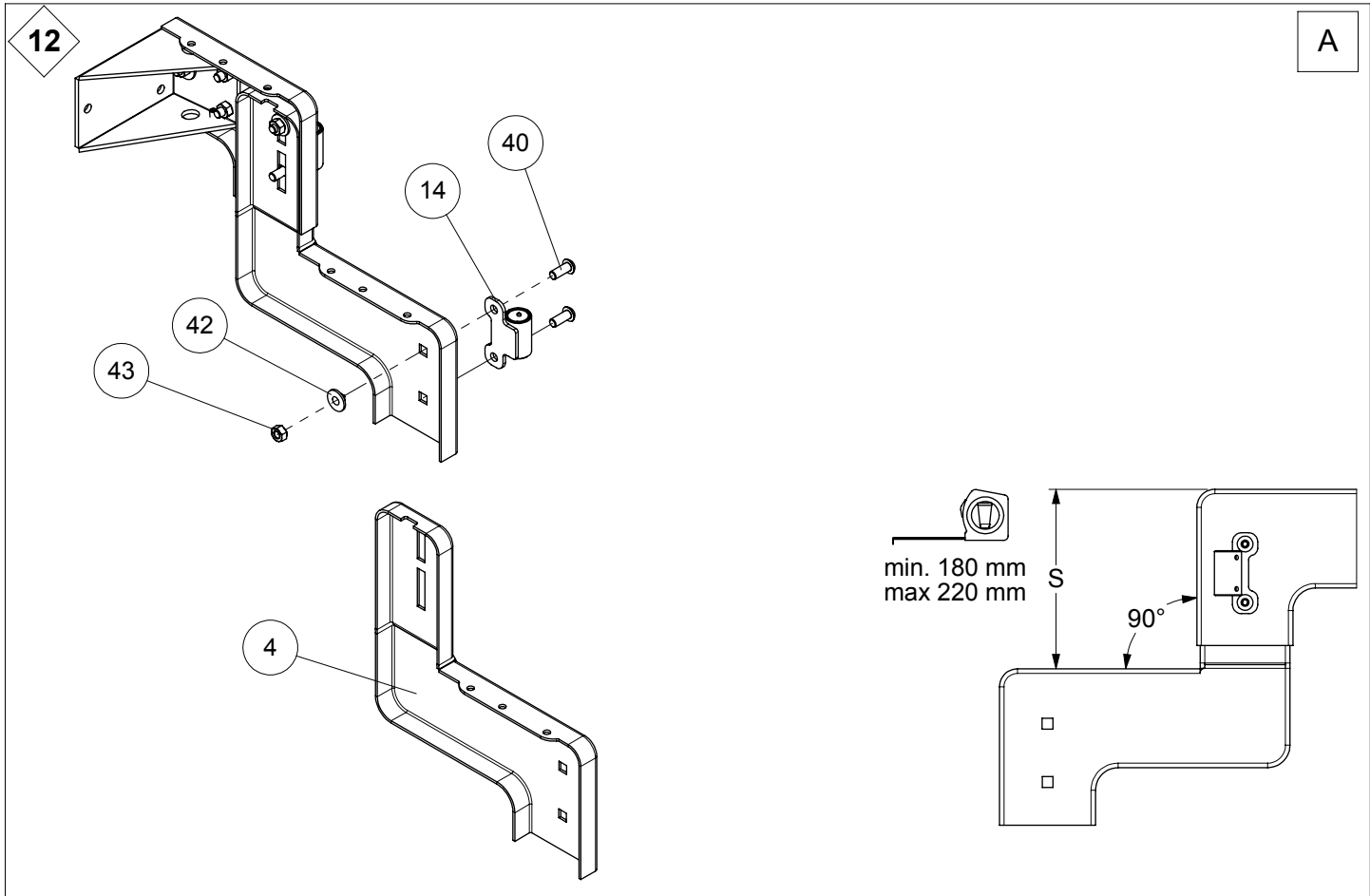
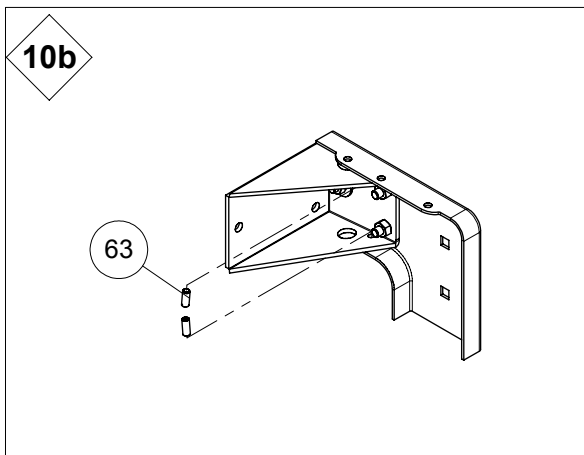
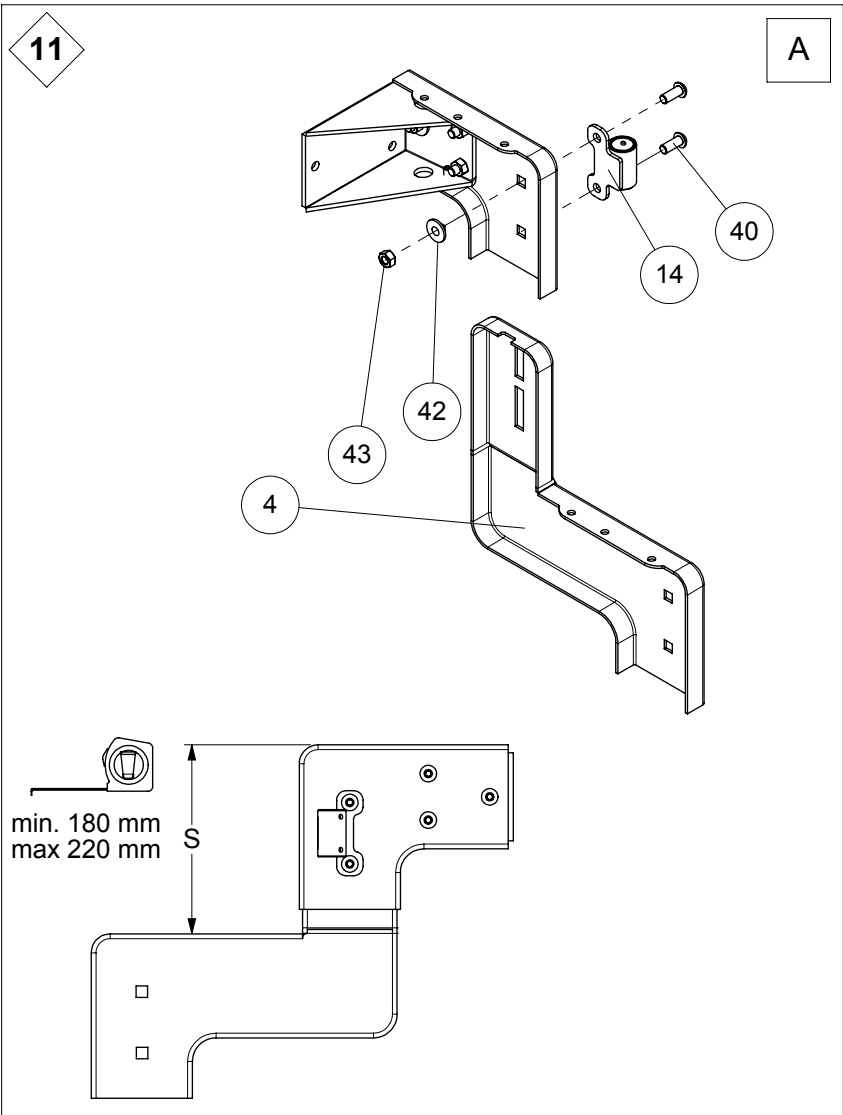
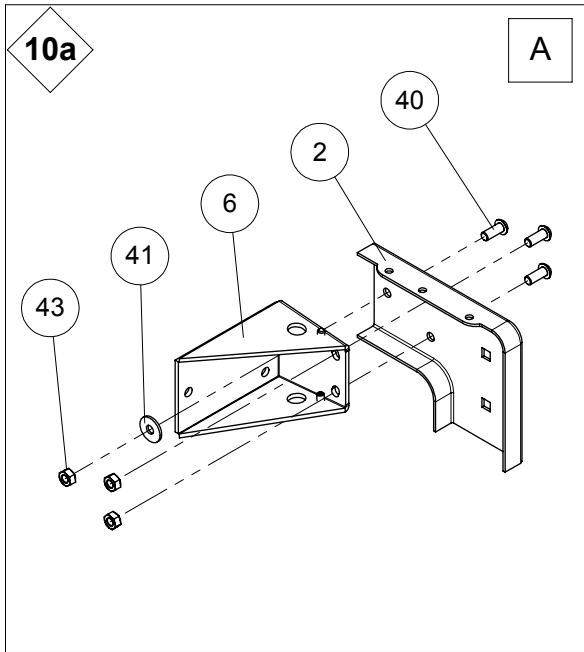
H	S				
	180	190	200	210	220
	mm	mm	mm	mm	mm
2	540	570	600	630	660
3	720	760	800	840	880
4	900	950	1000	1050	1100
5	1080	1140	1200	1260	1320
6	1260	1330	1400	1470	1540
7	1440	1520	1600	1680	1760
8	1620	1710	1800	1890	1980
9	1800	1900	2000	2100	2200
10	1980	2090	2200	2310	2420
11	2160	2280	2400	2520	2640
12	2340	2470	2600	2730	2860

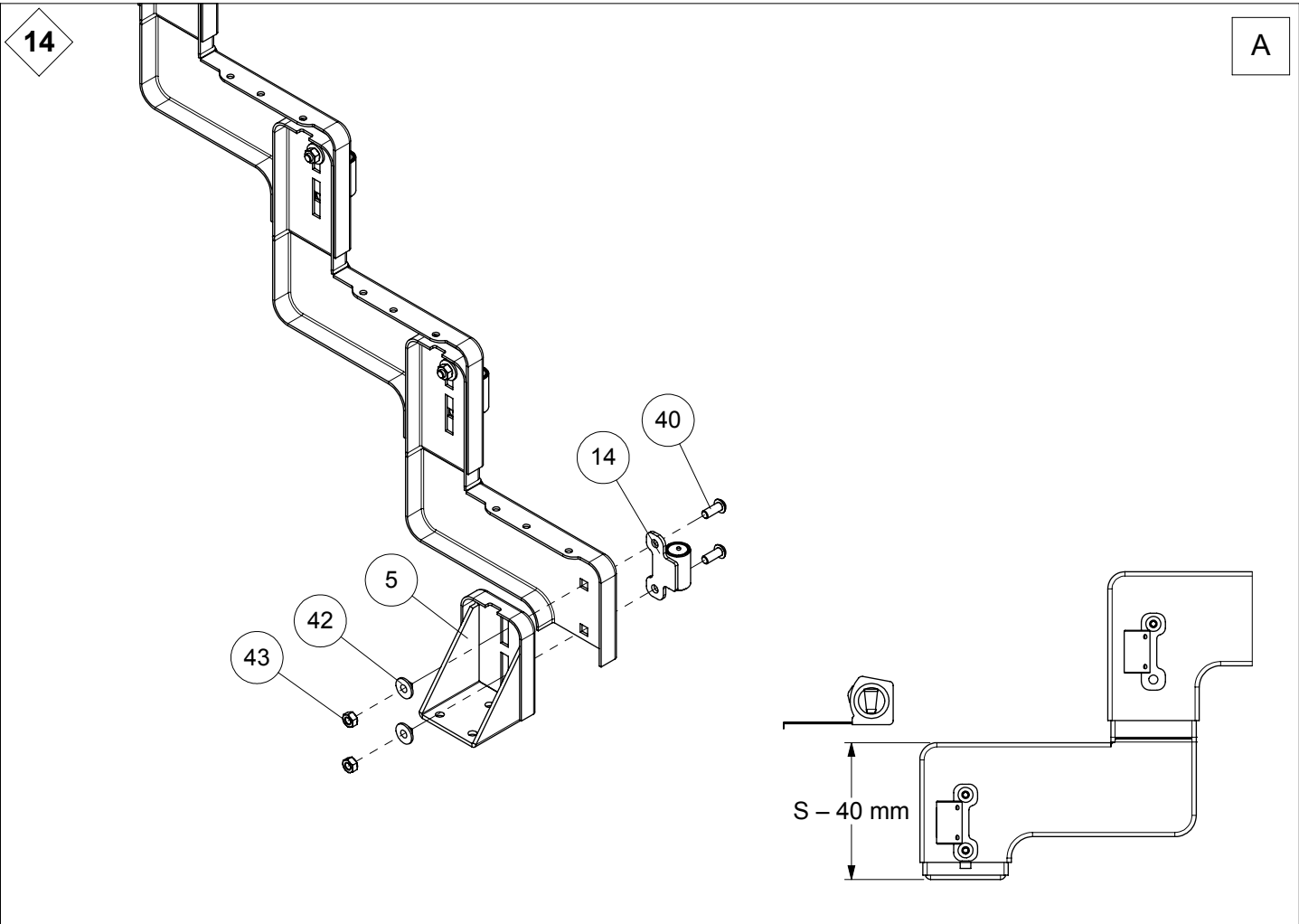
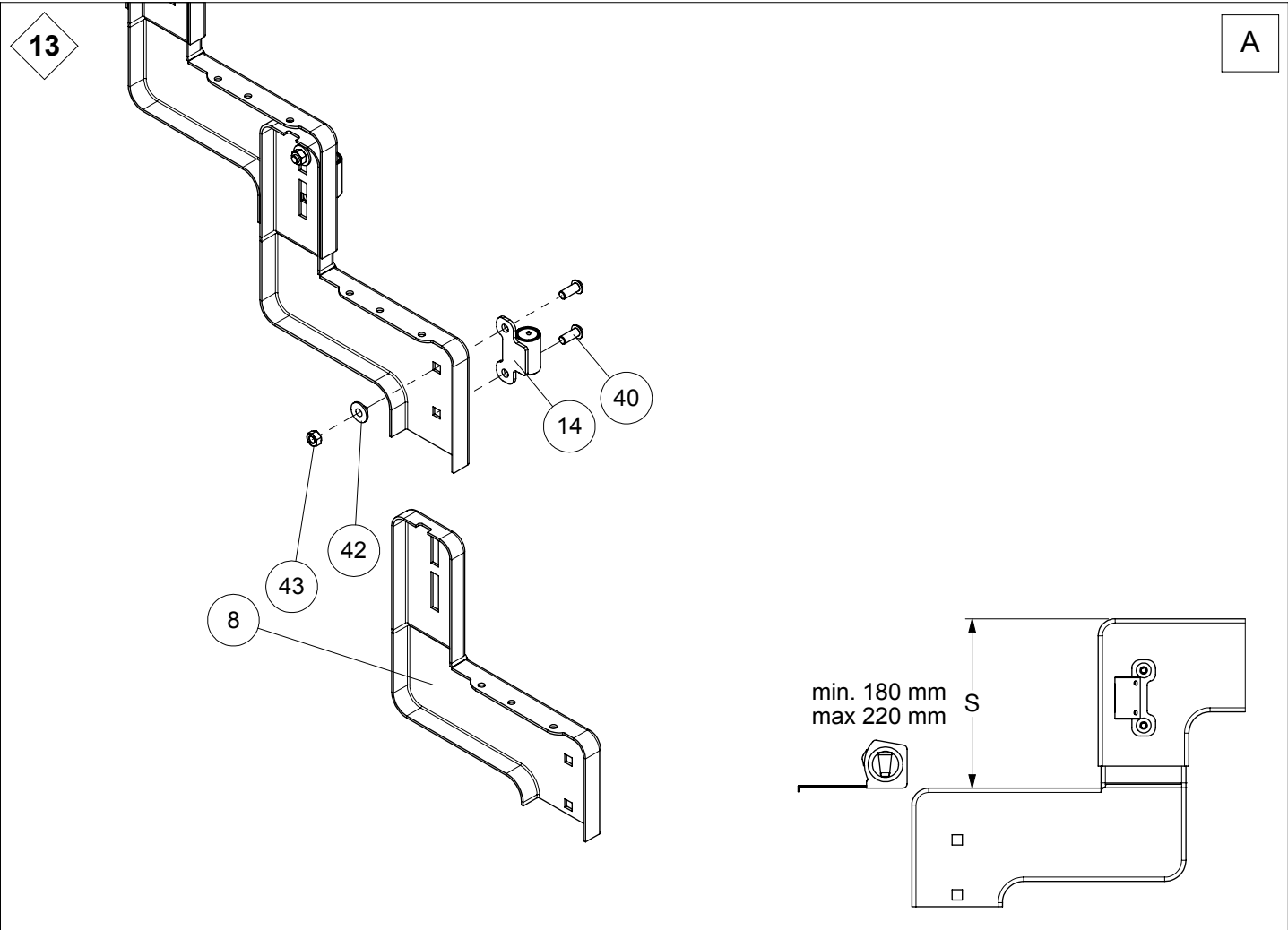


H	S				
	180	190	200	210	220
	mm	mm	mm	mm	mm
2	360	380	400	420	440
3	540	570	600	630	660
4	720	760	800	840	880
5	900	950	1000	1050	1100
6	1080	1140	1200	1260	1320
7	1260	1330	1400	1470	1540
8	1440	1520	1600	1680	1760
9	1620	1710	1800	1890	1980
10	1800	1900	2000	2100	2200
11	1980	2090	2200	2310	2420
12	2160	2280	2400	2520	2640





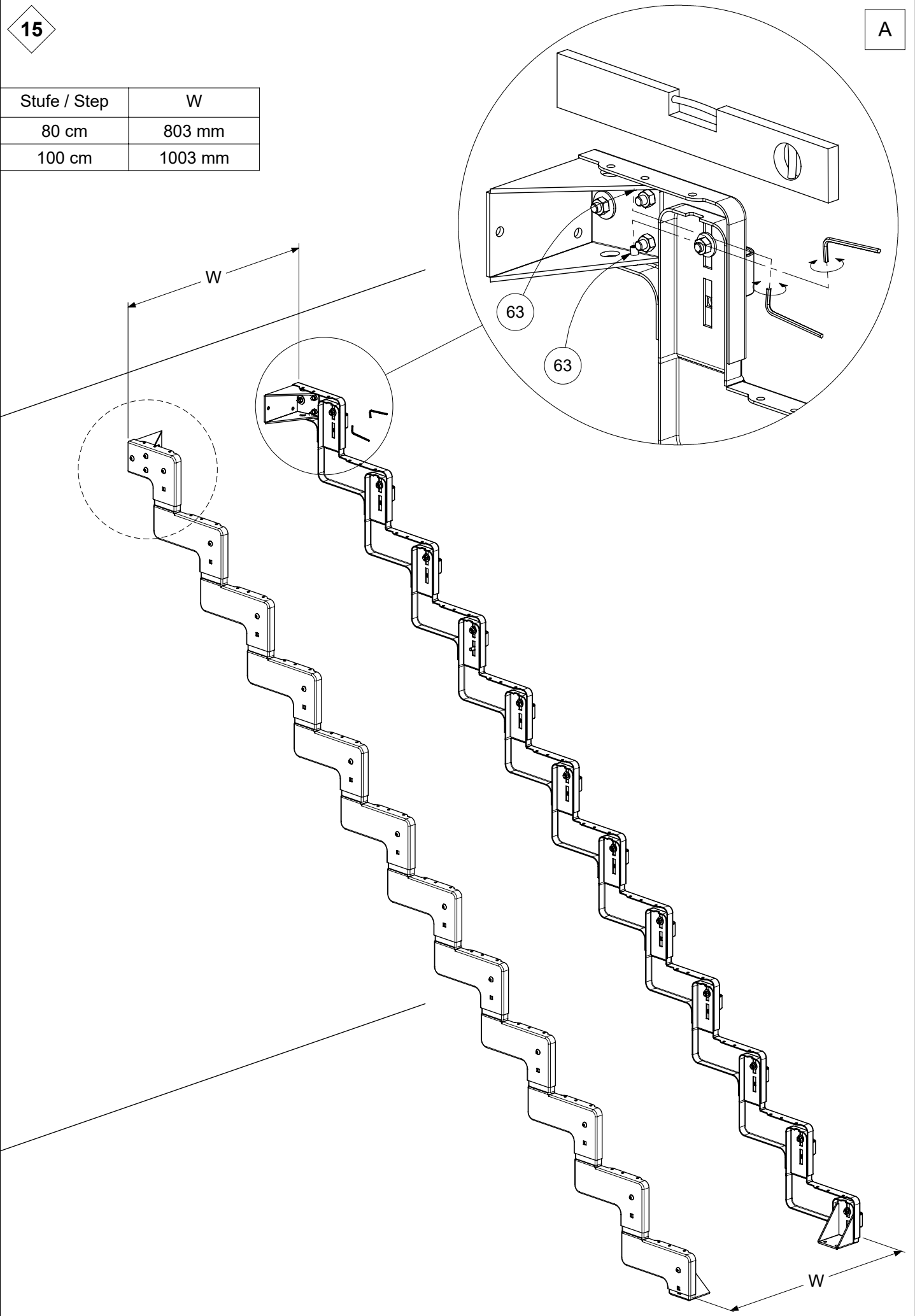




15

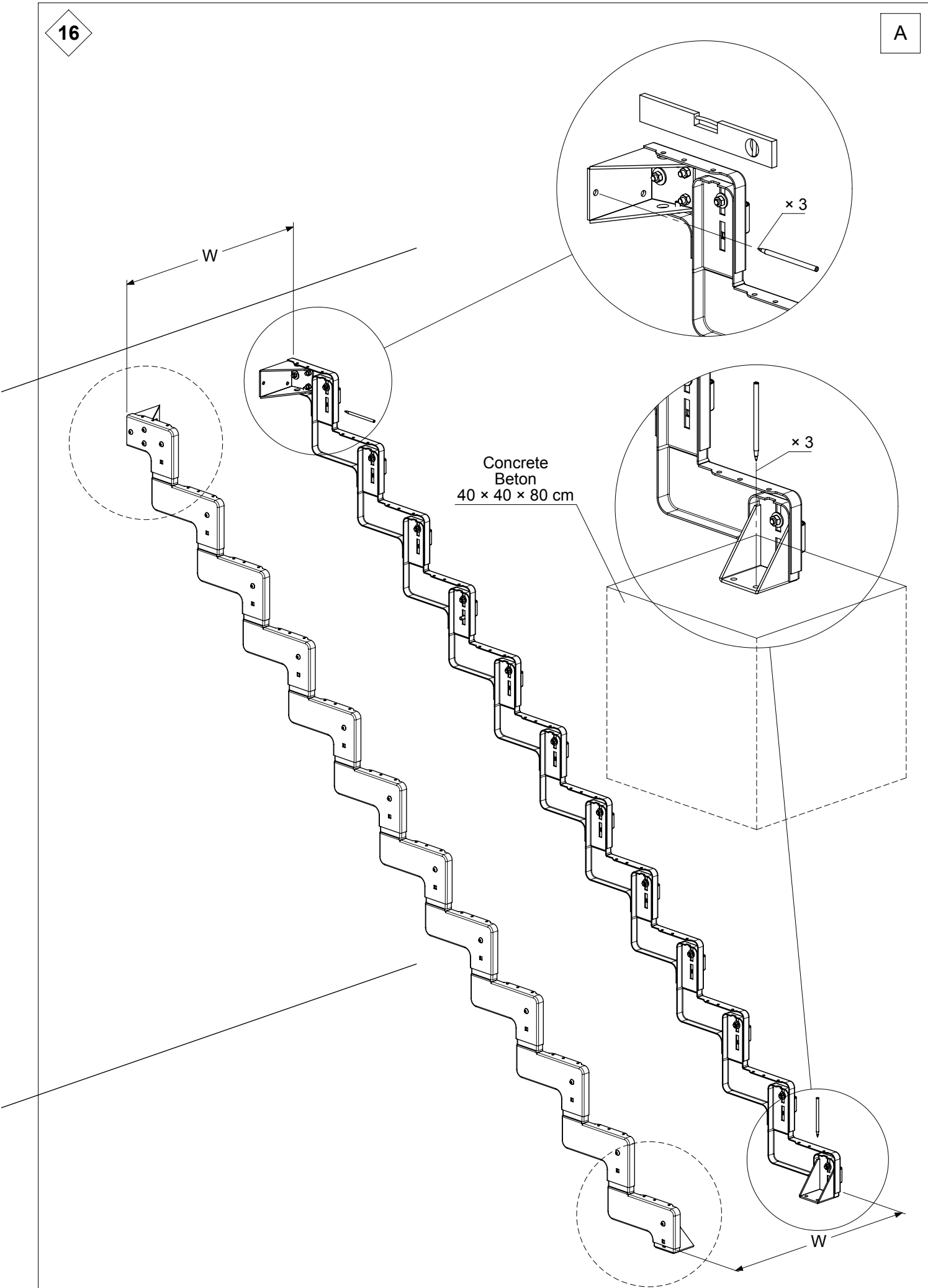
A

Stufe / Step	W
80 cm	803 mm
100 cm	1003 mm



16

A



Concrete
Beton
40 x 40 x 80 cm

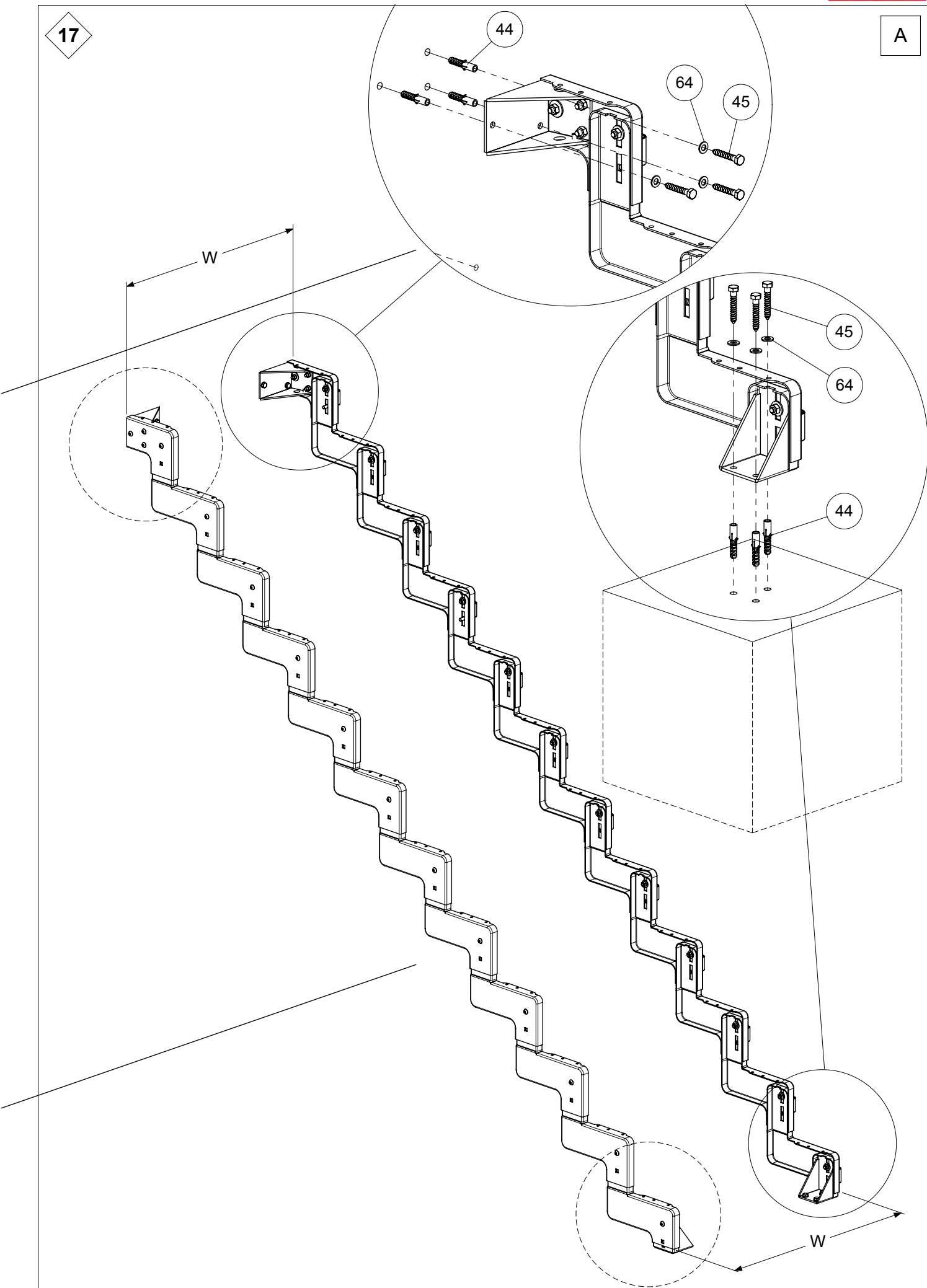
x 3

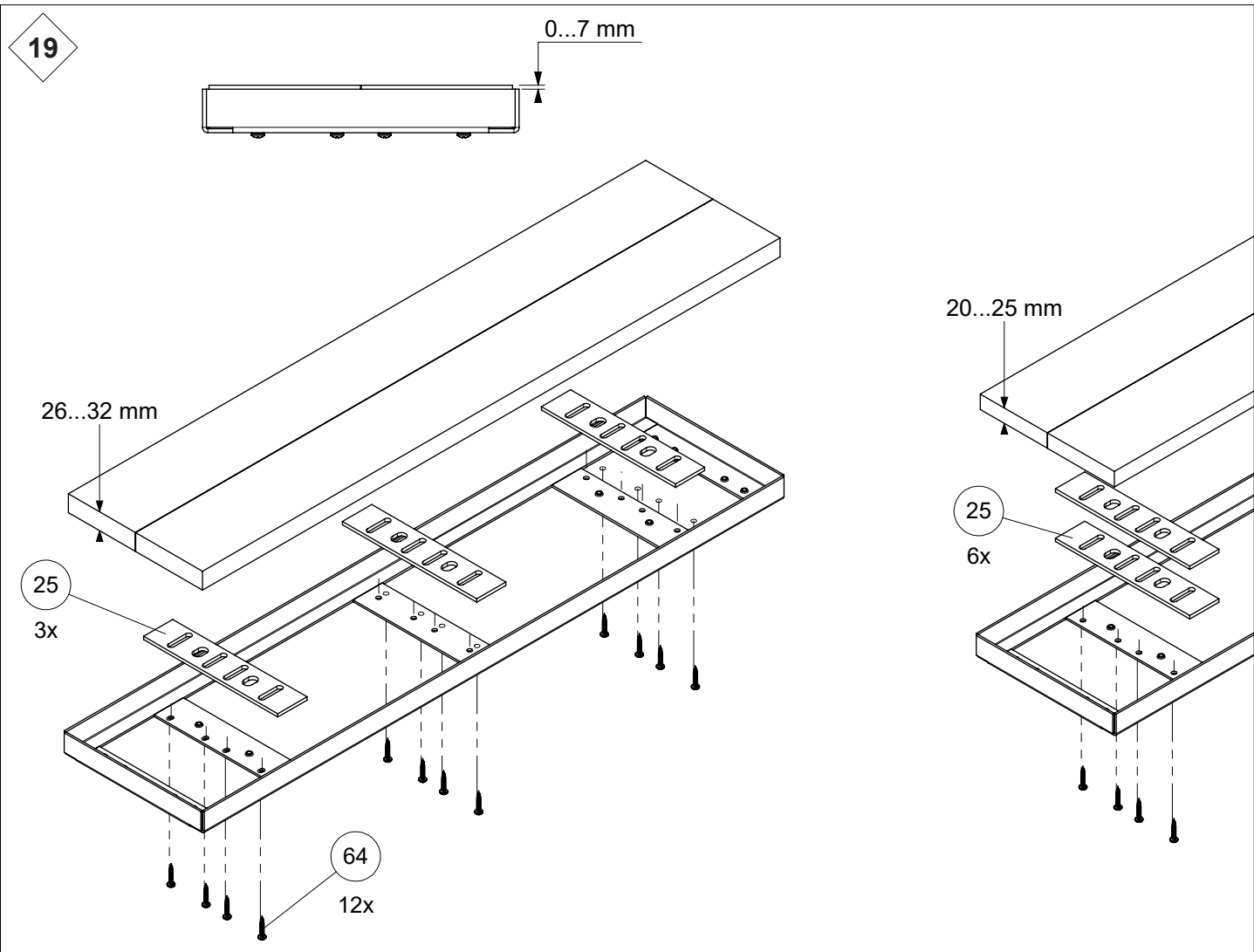
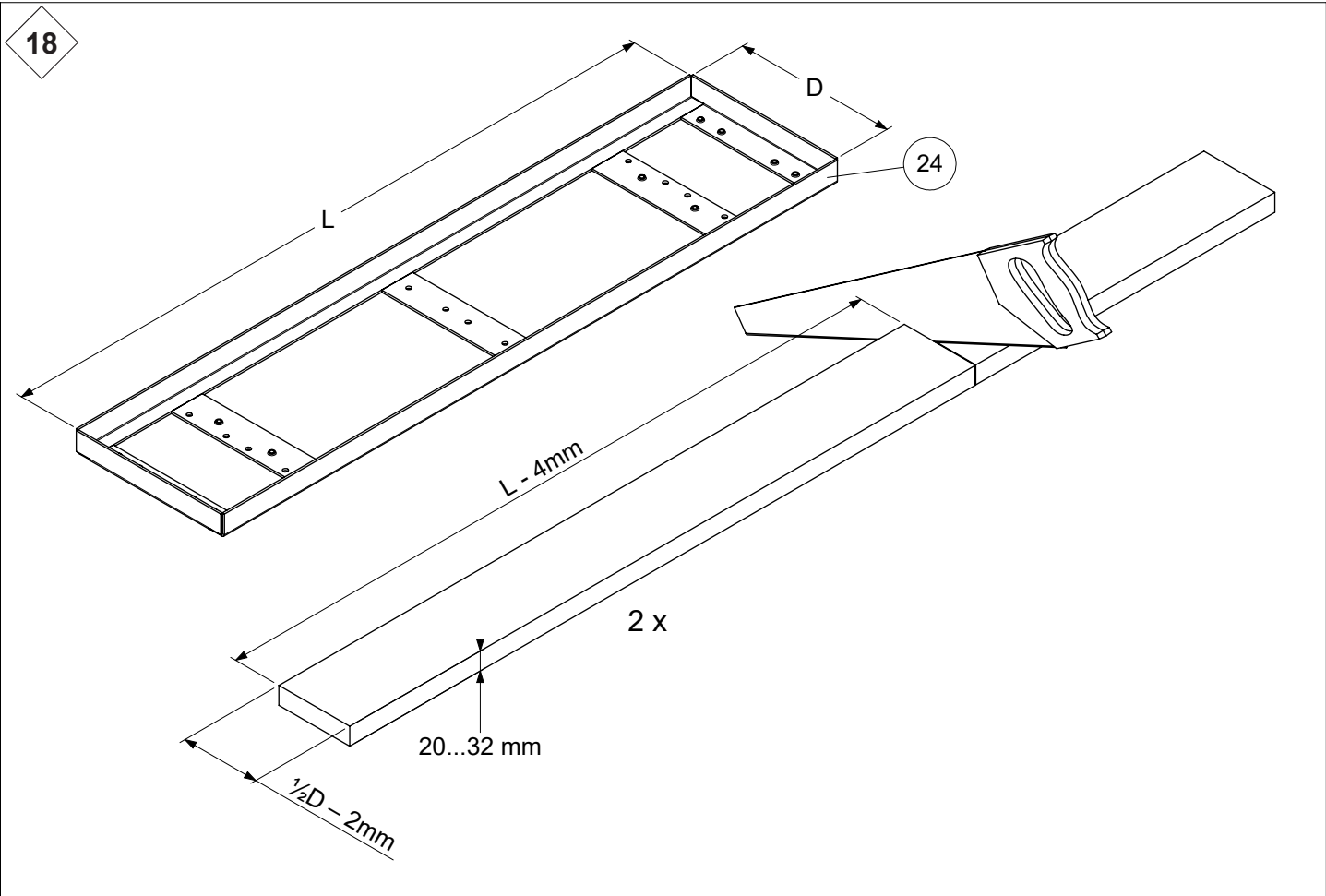
x 3

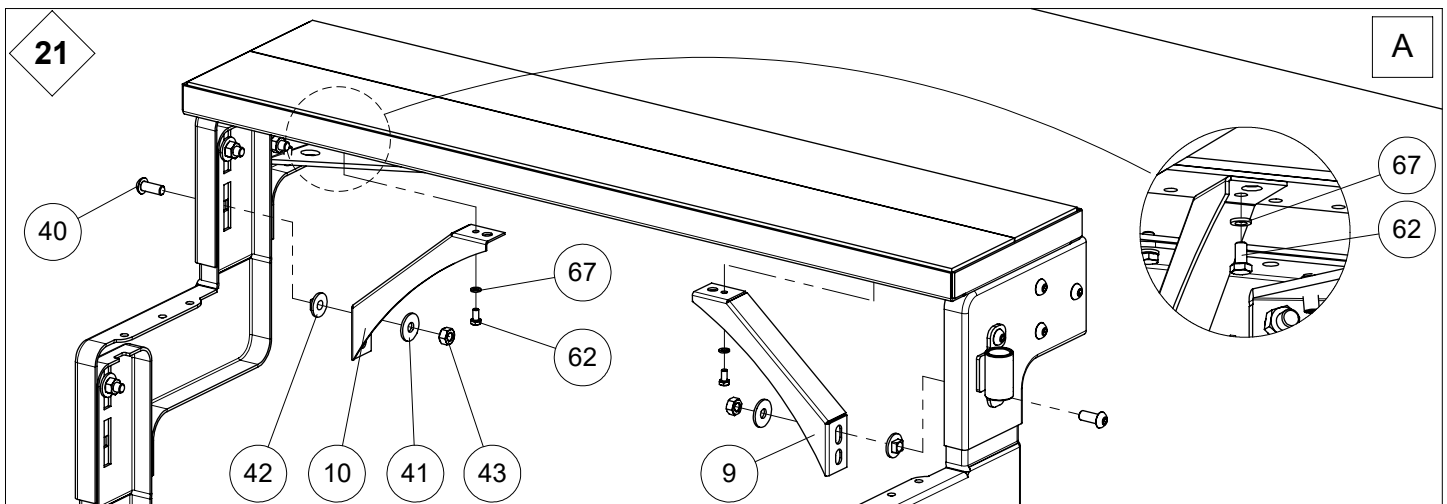
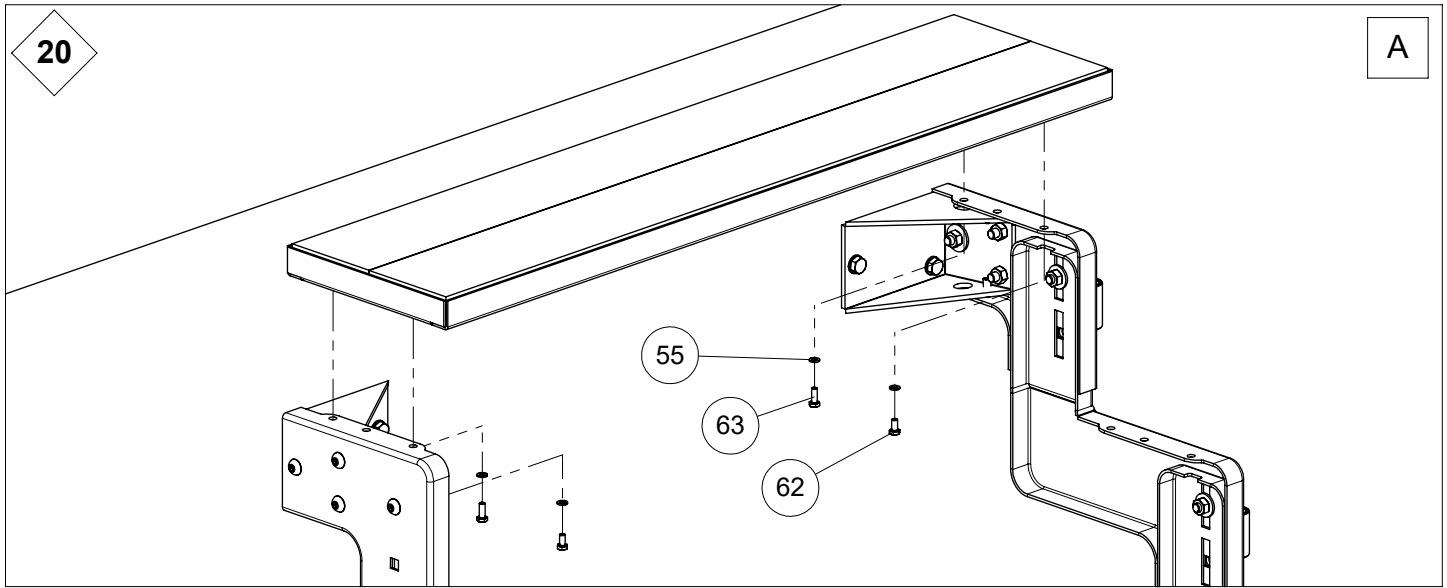
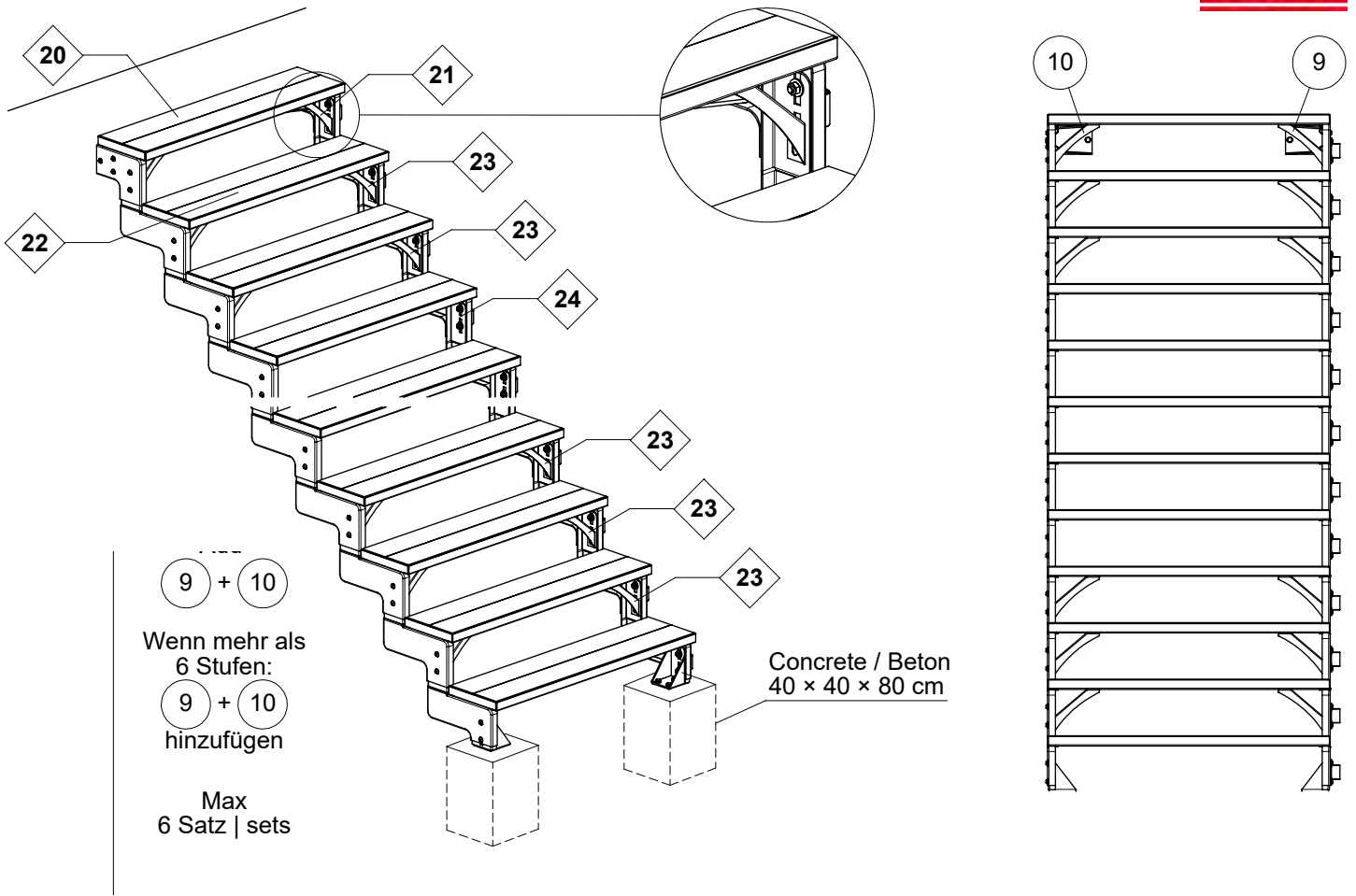
W

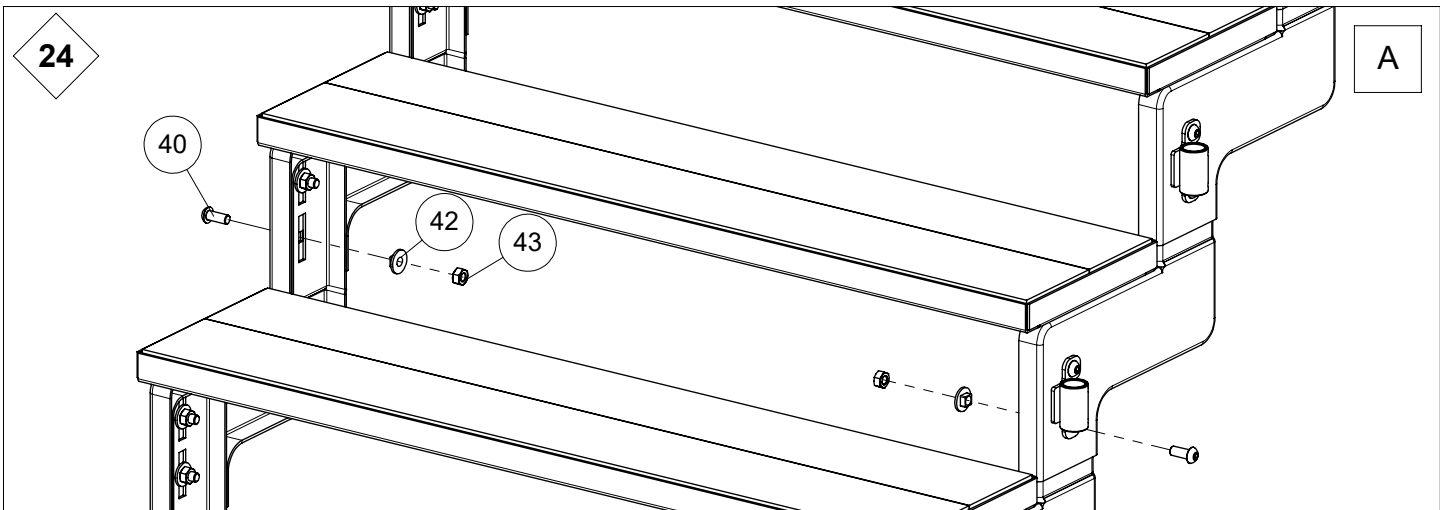
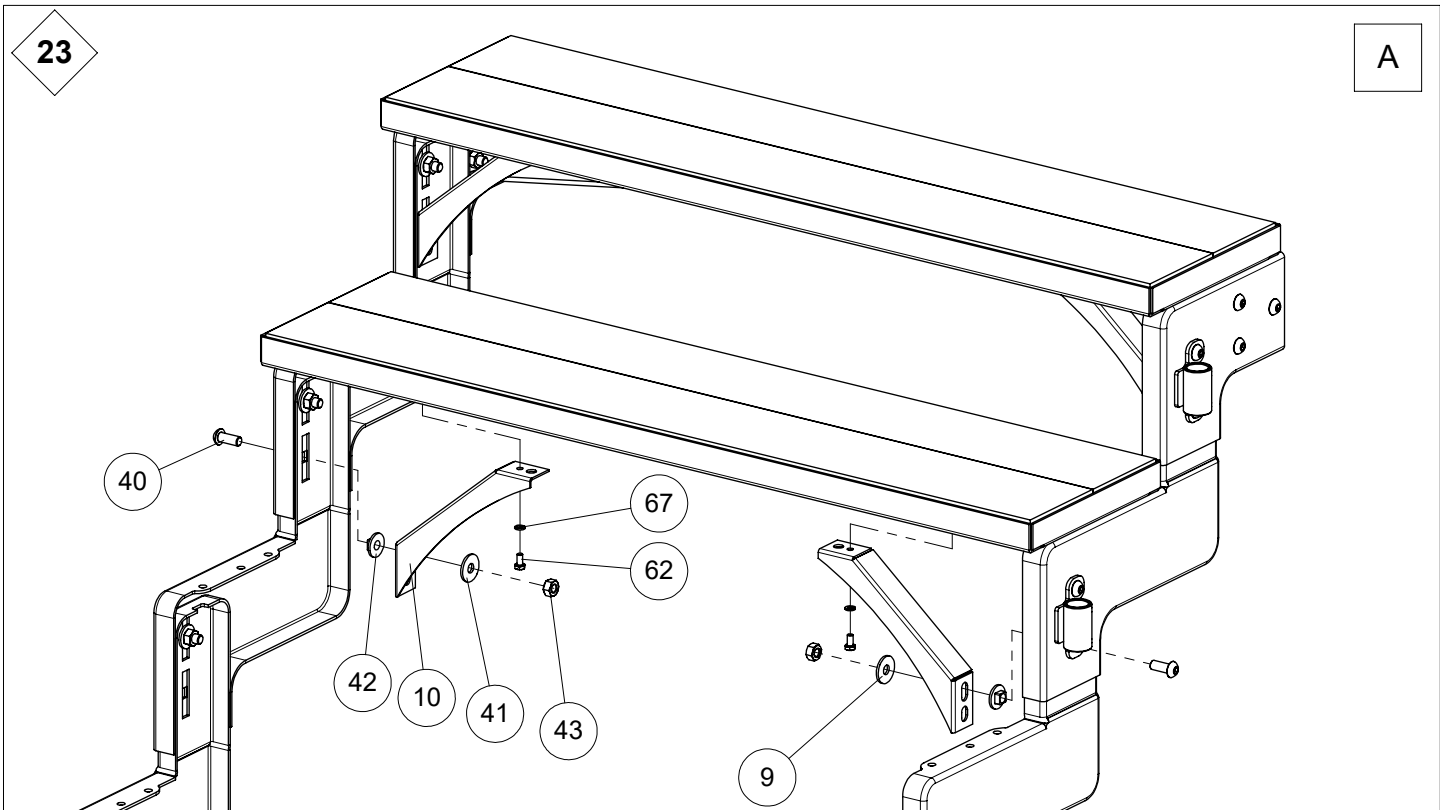
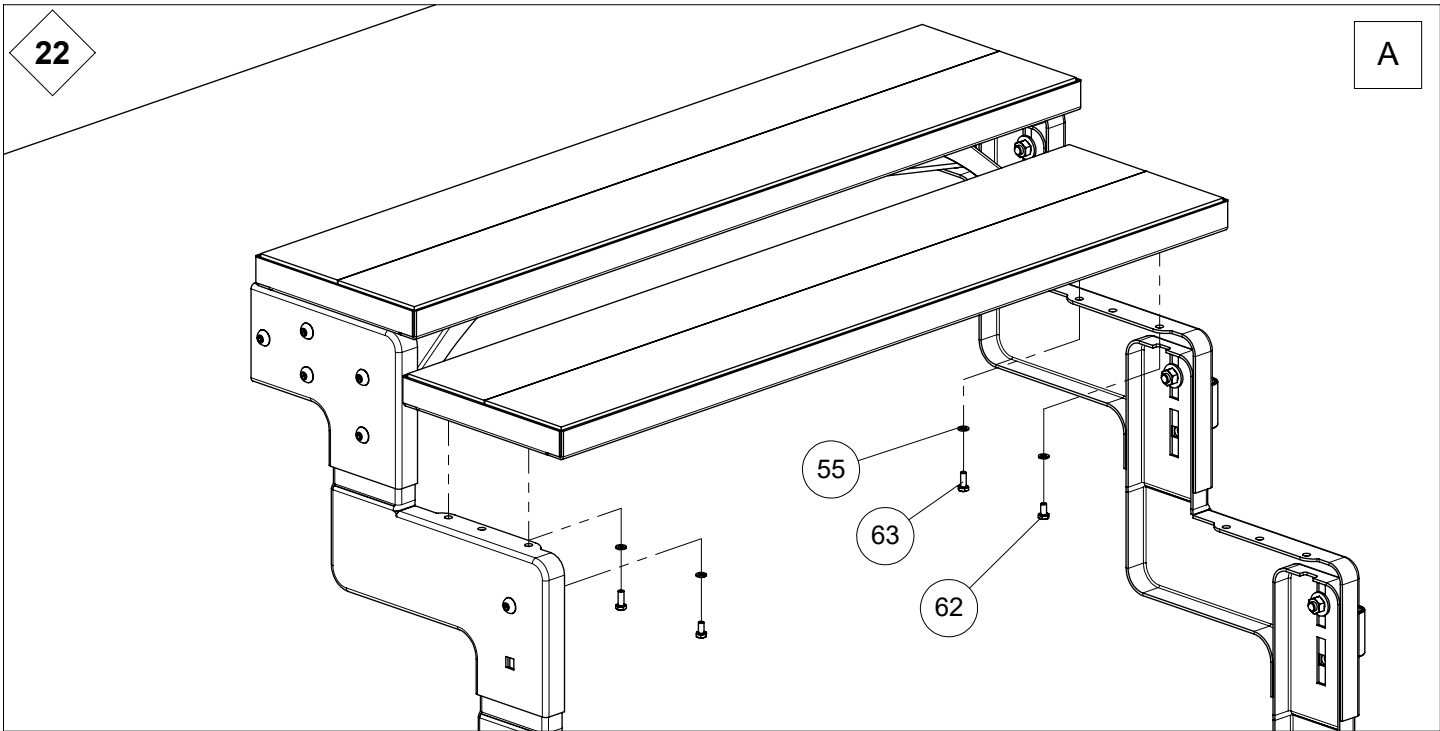
17

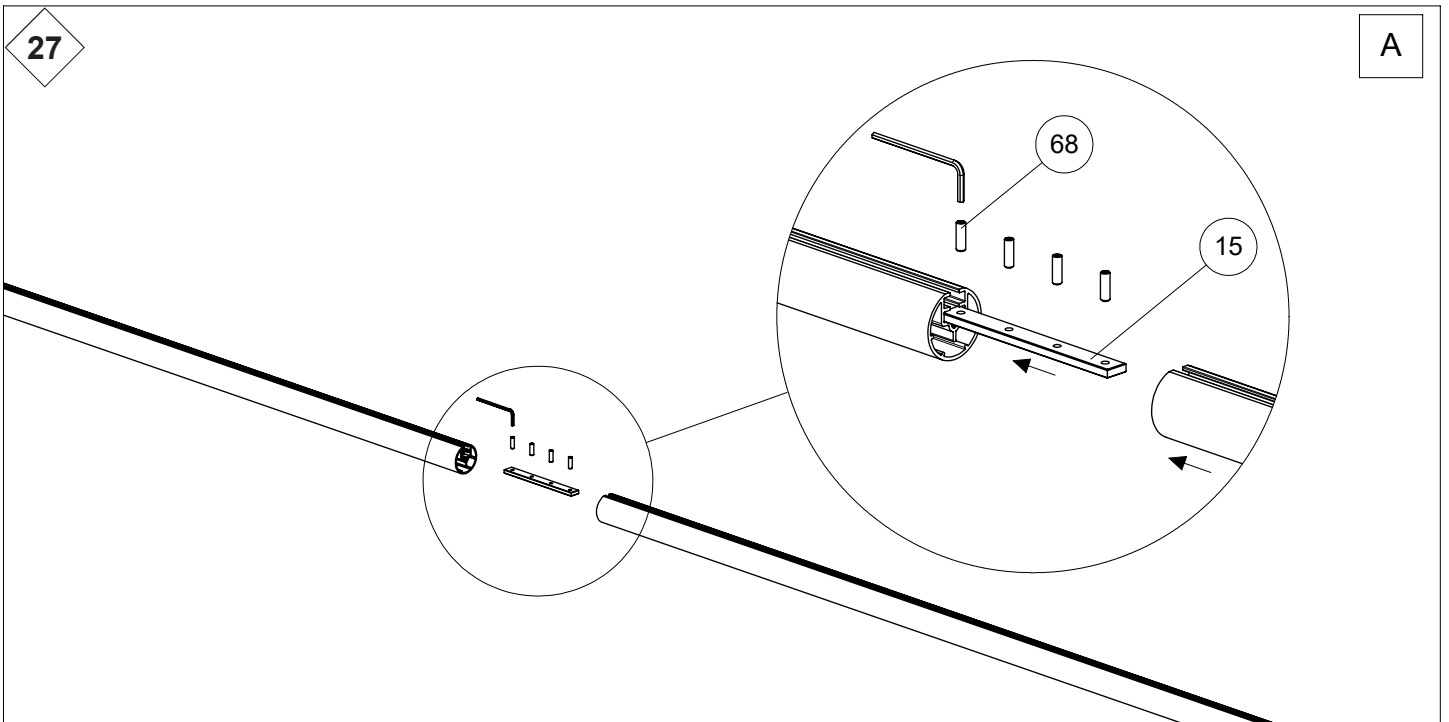
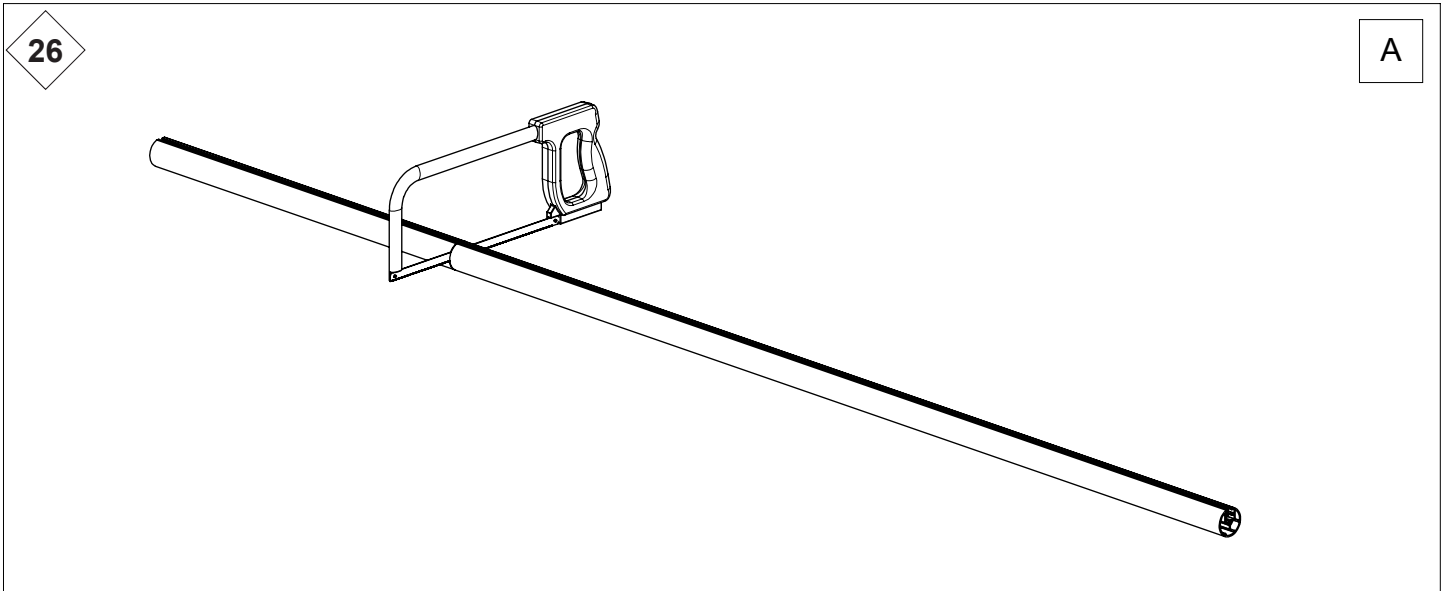
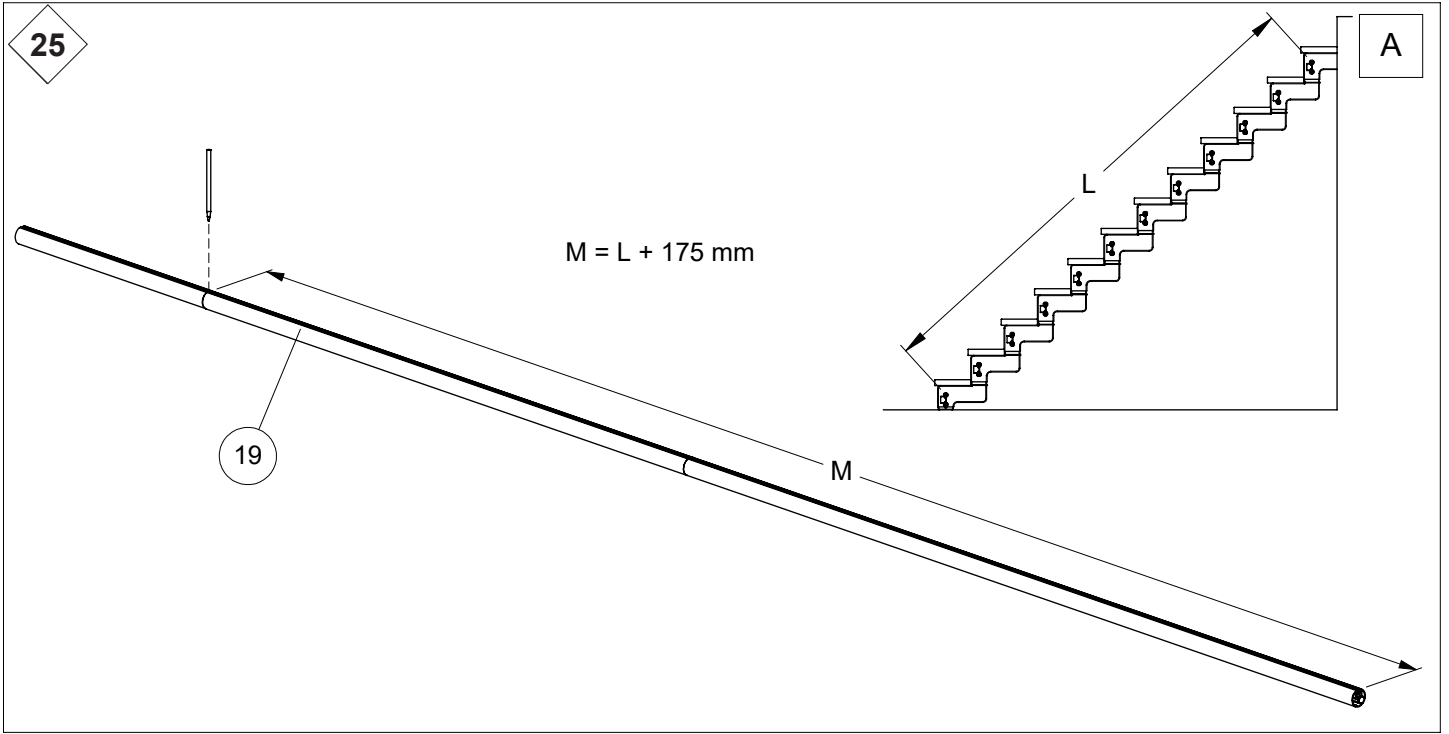
A

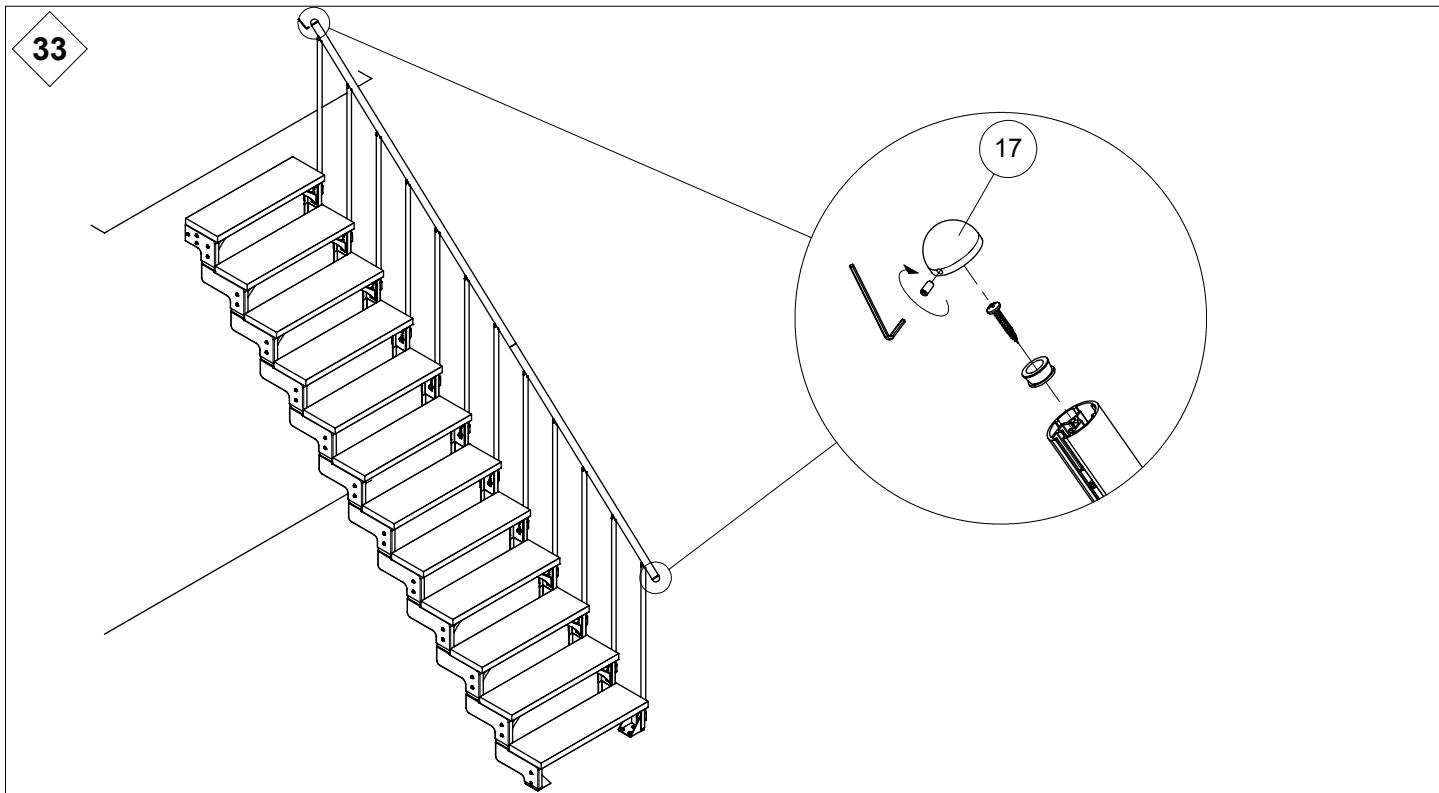
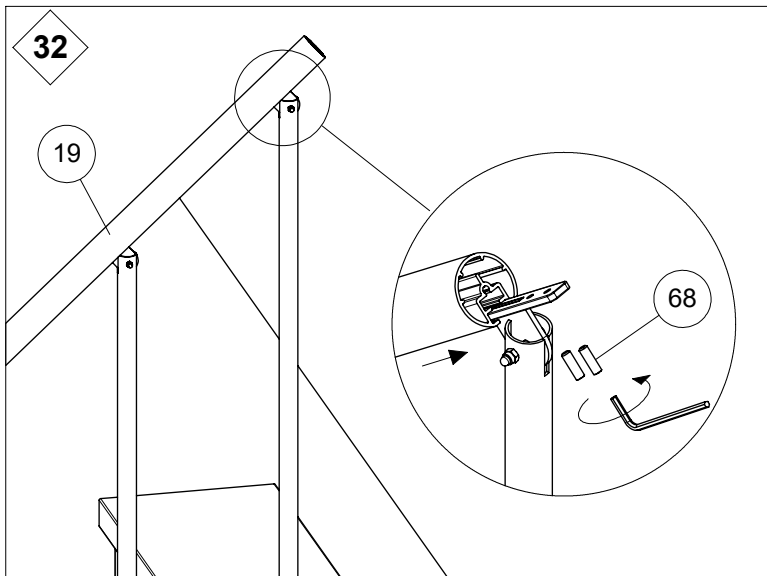
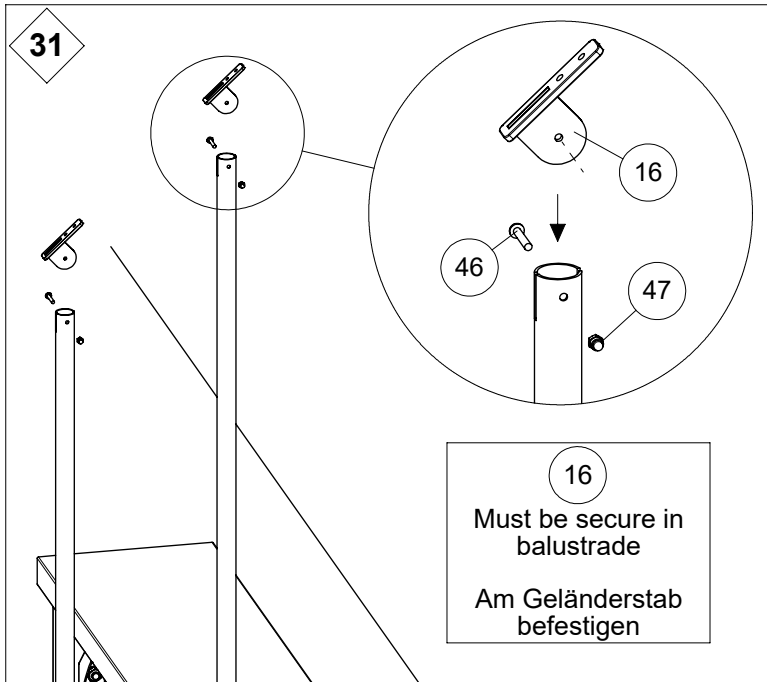
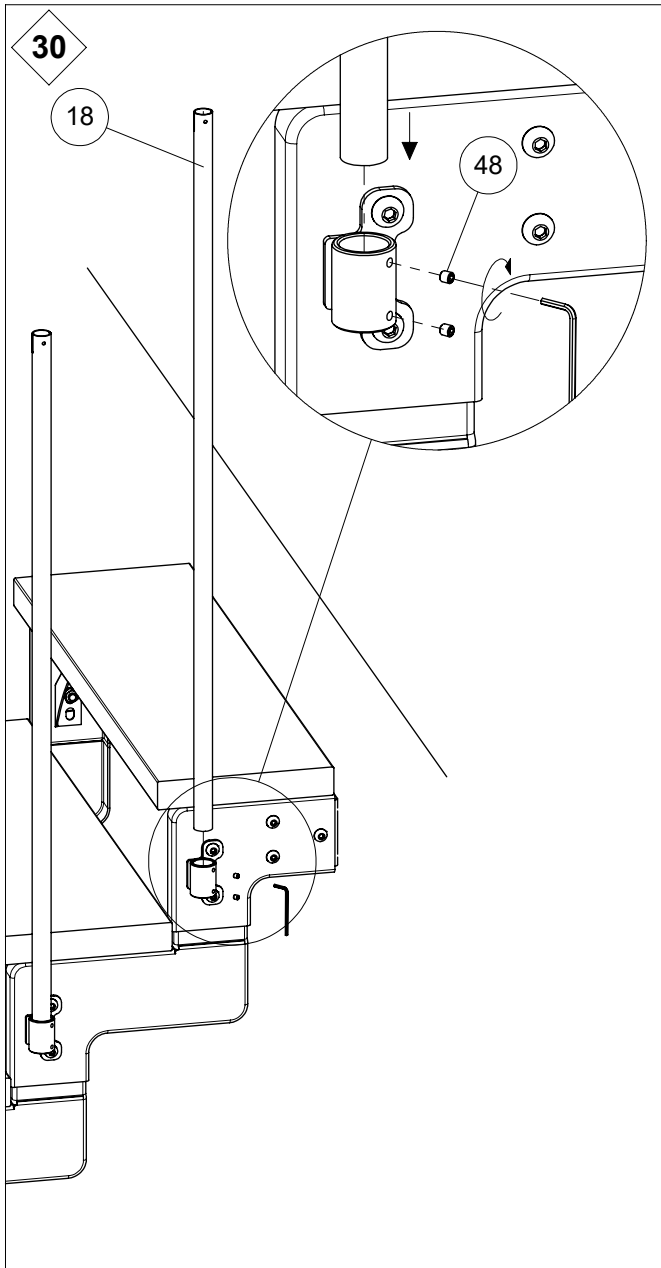


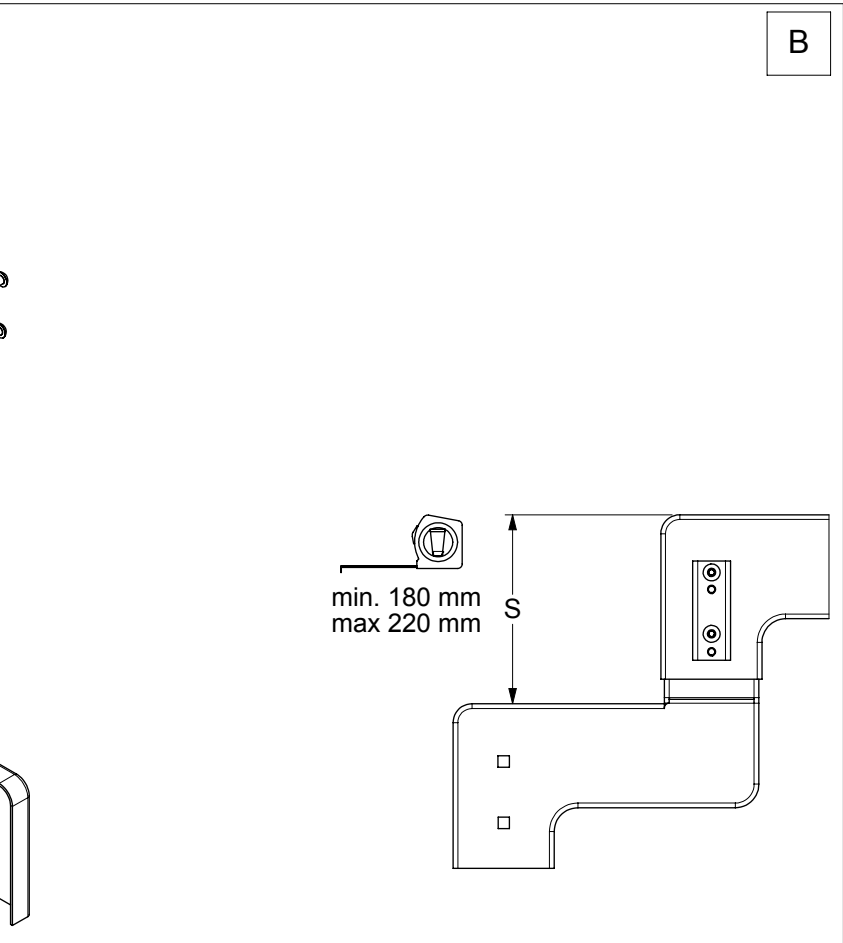
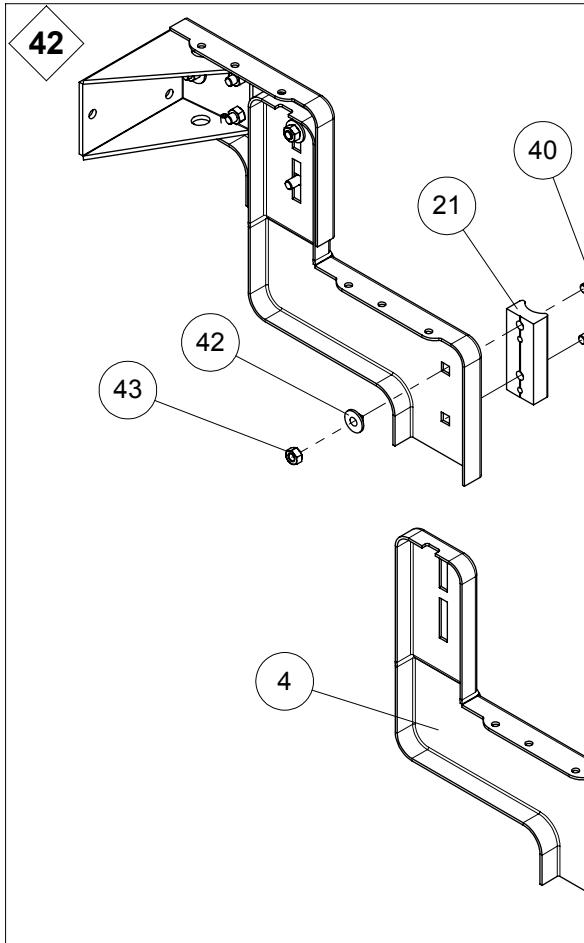
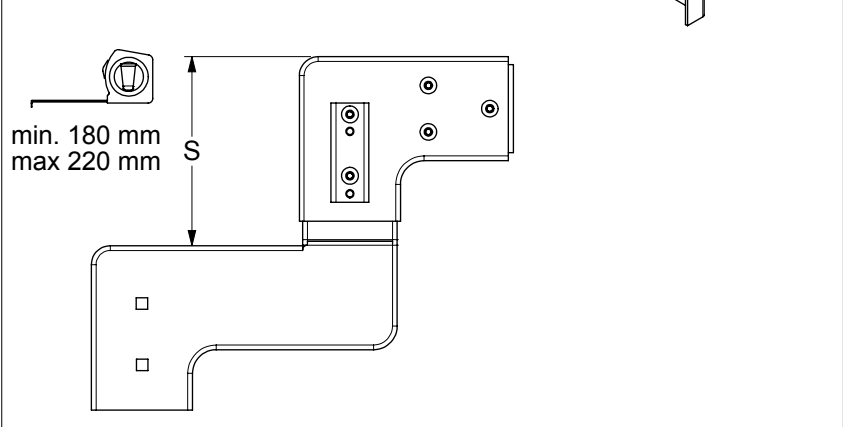
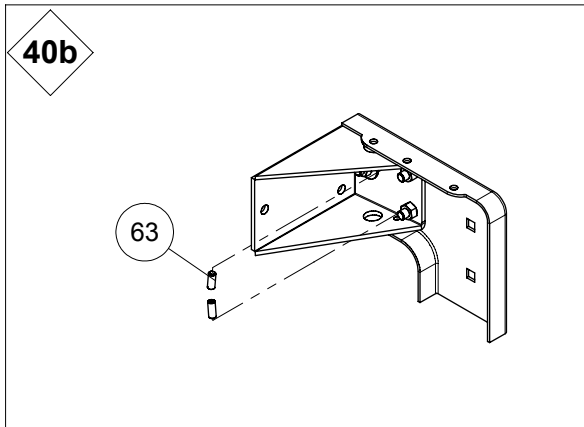
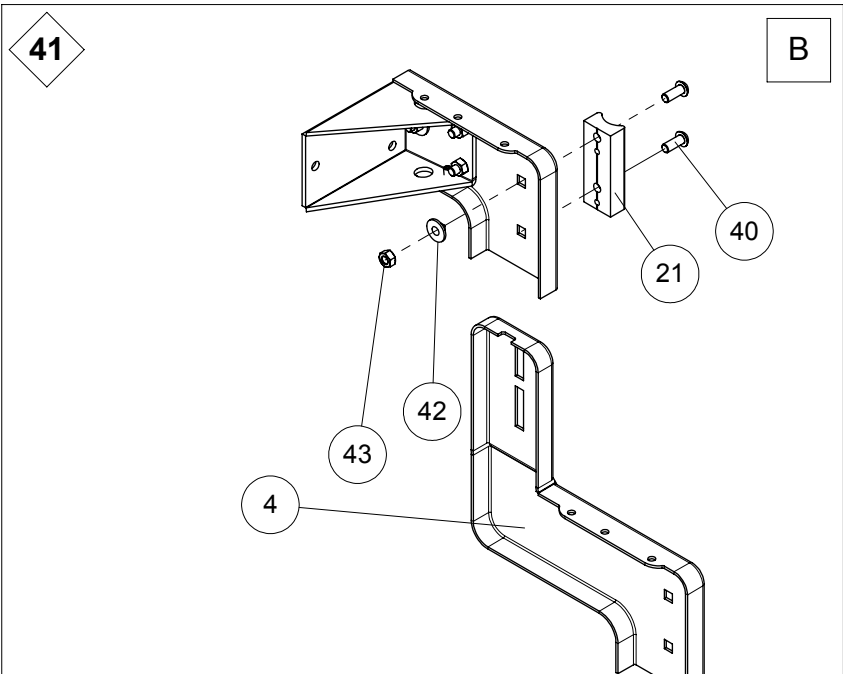
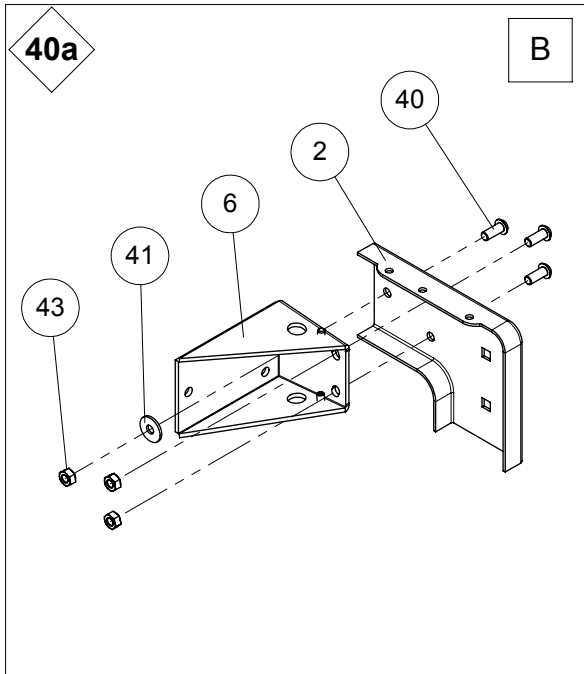


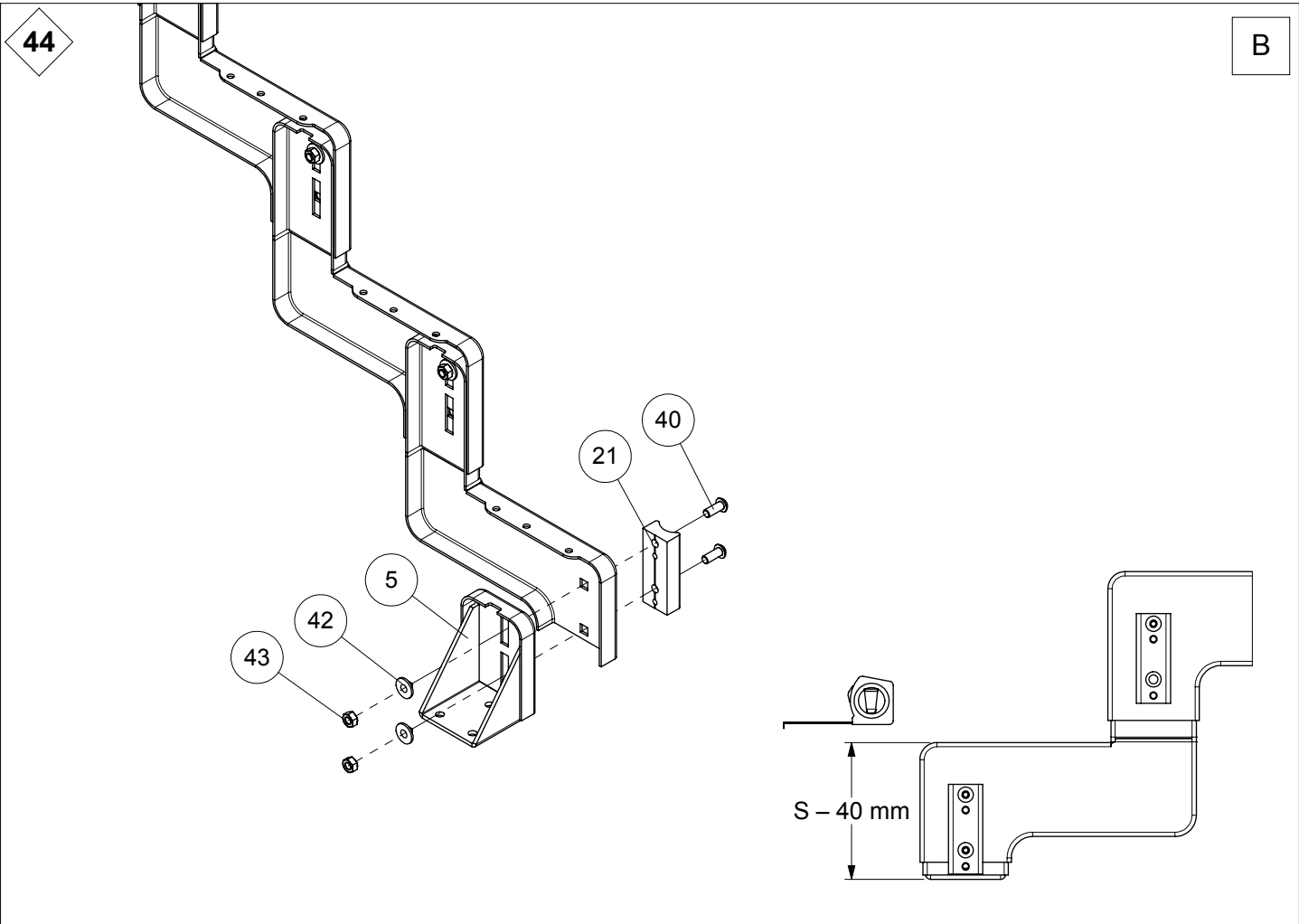
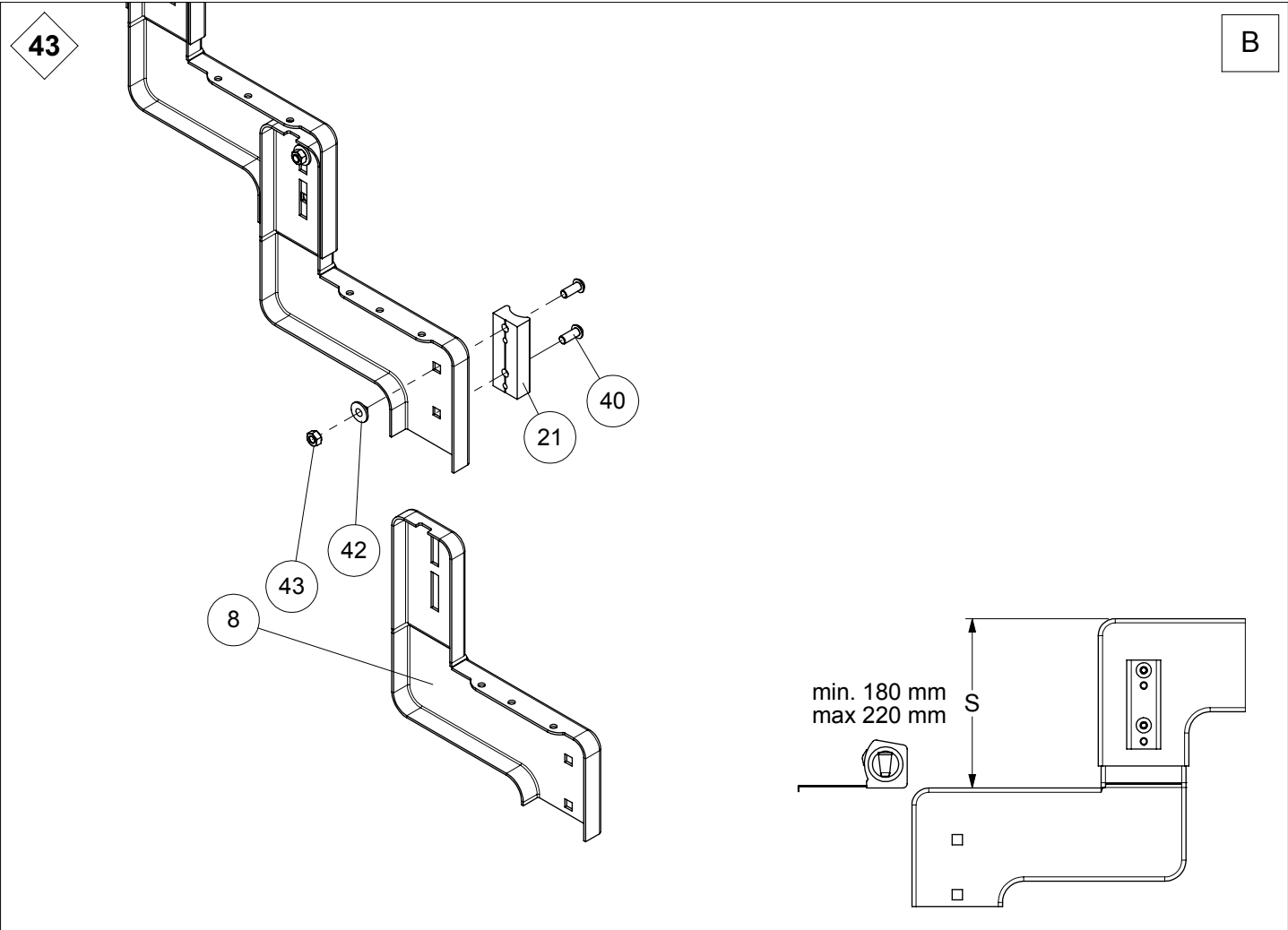








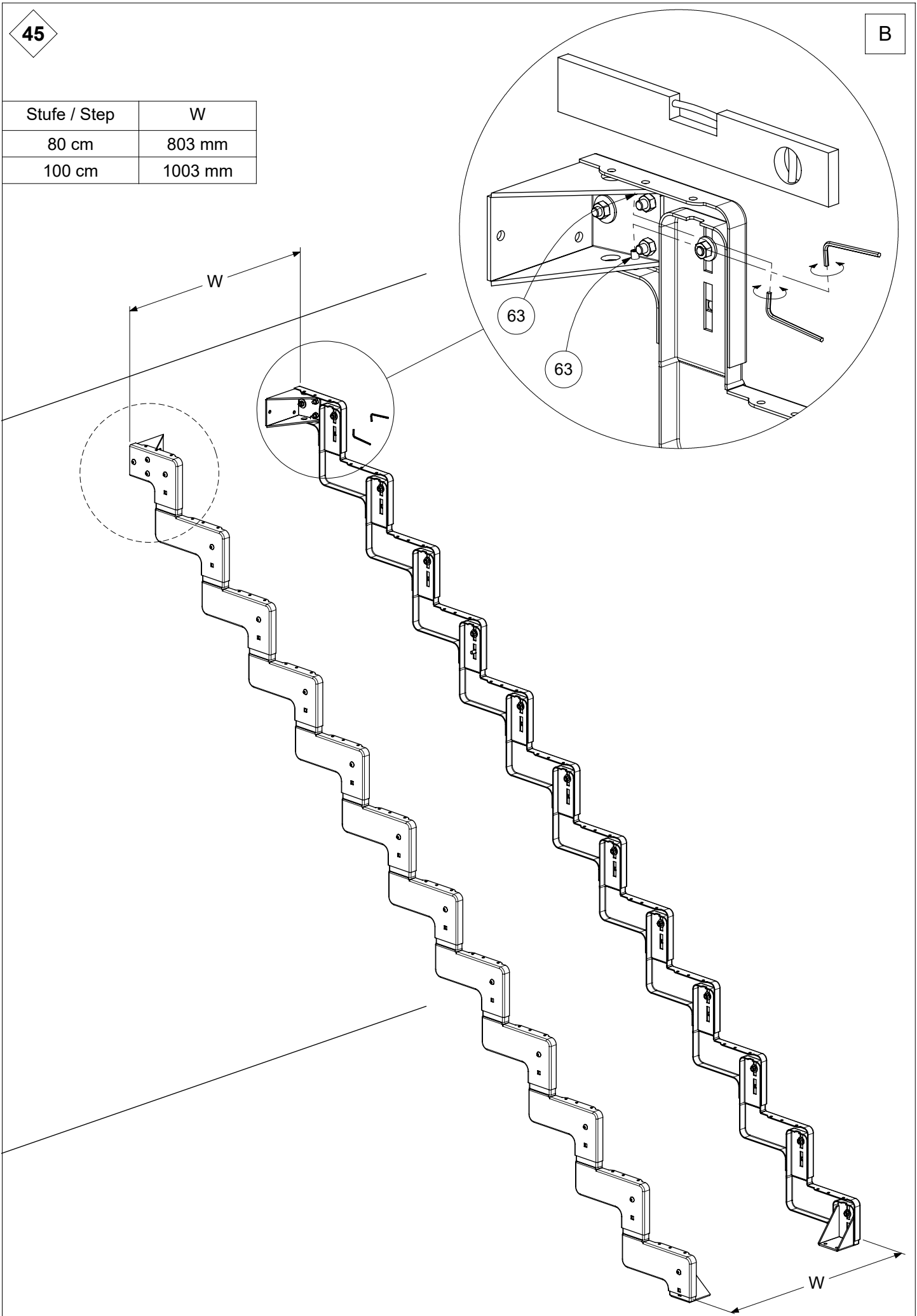




45

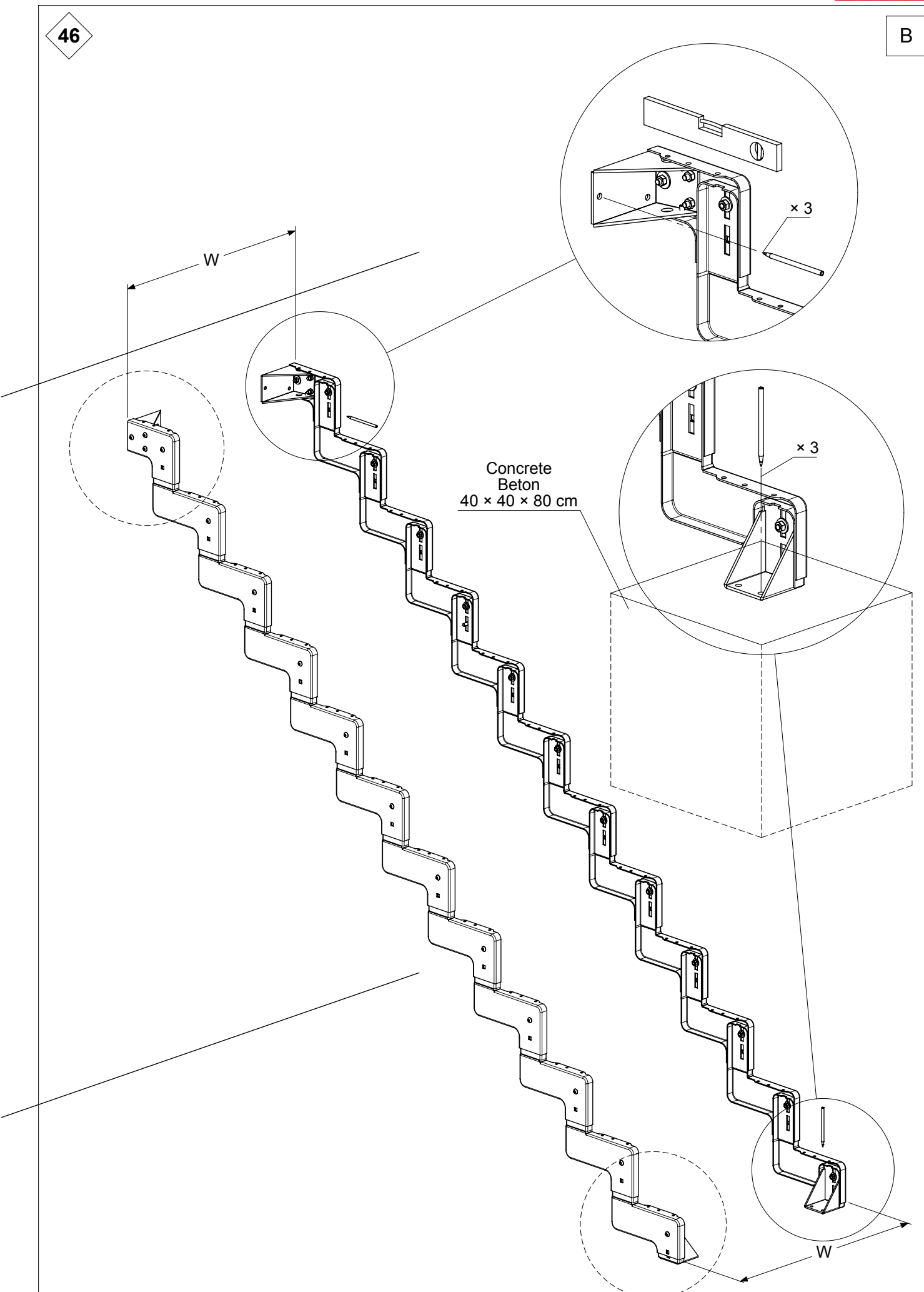
B

Stufe / Step	W
80 cm	803 mm
100 cm	1003 mm



46

B

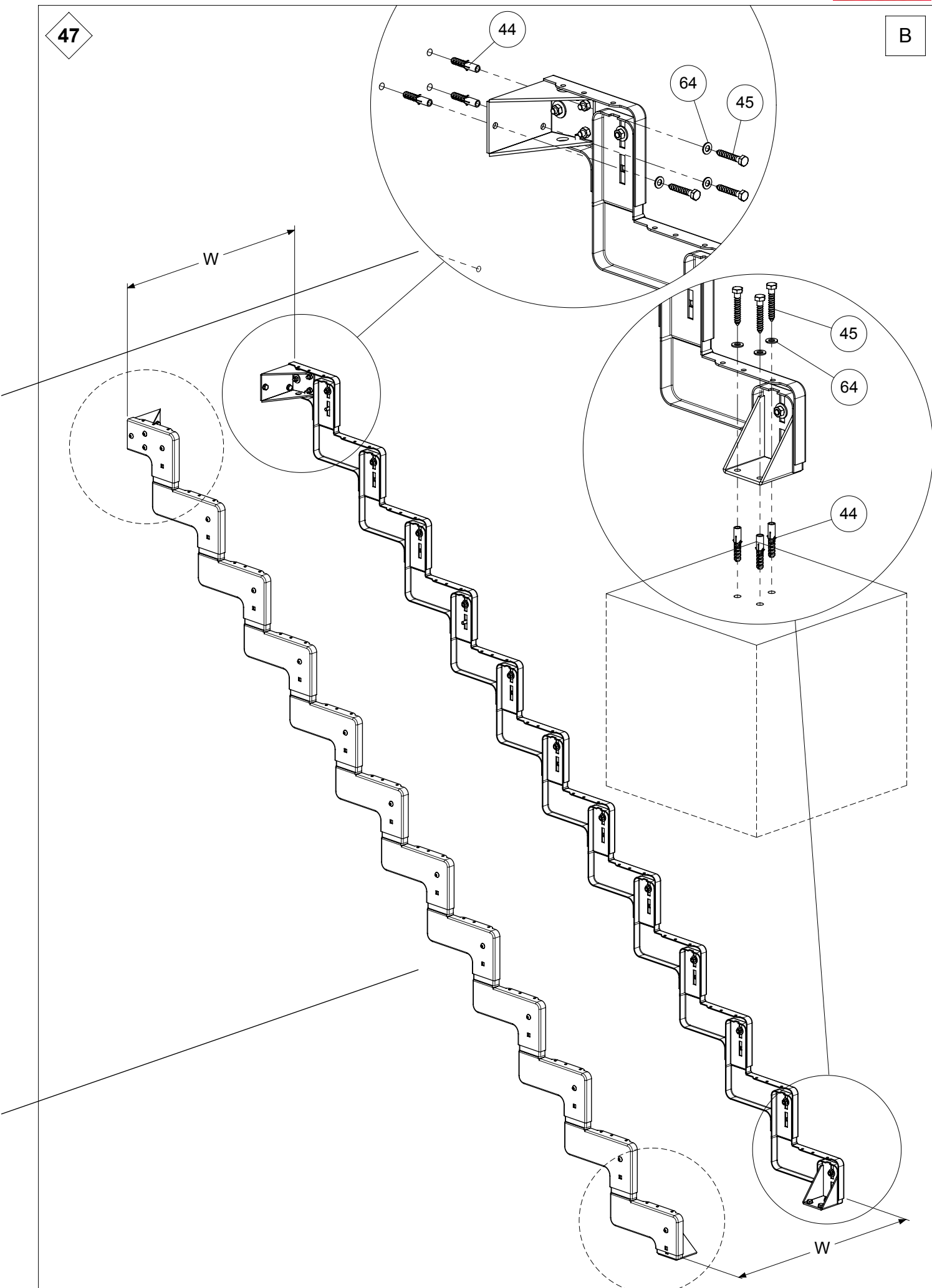


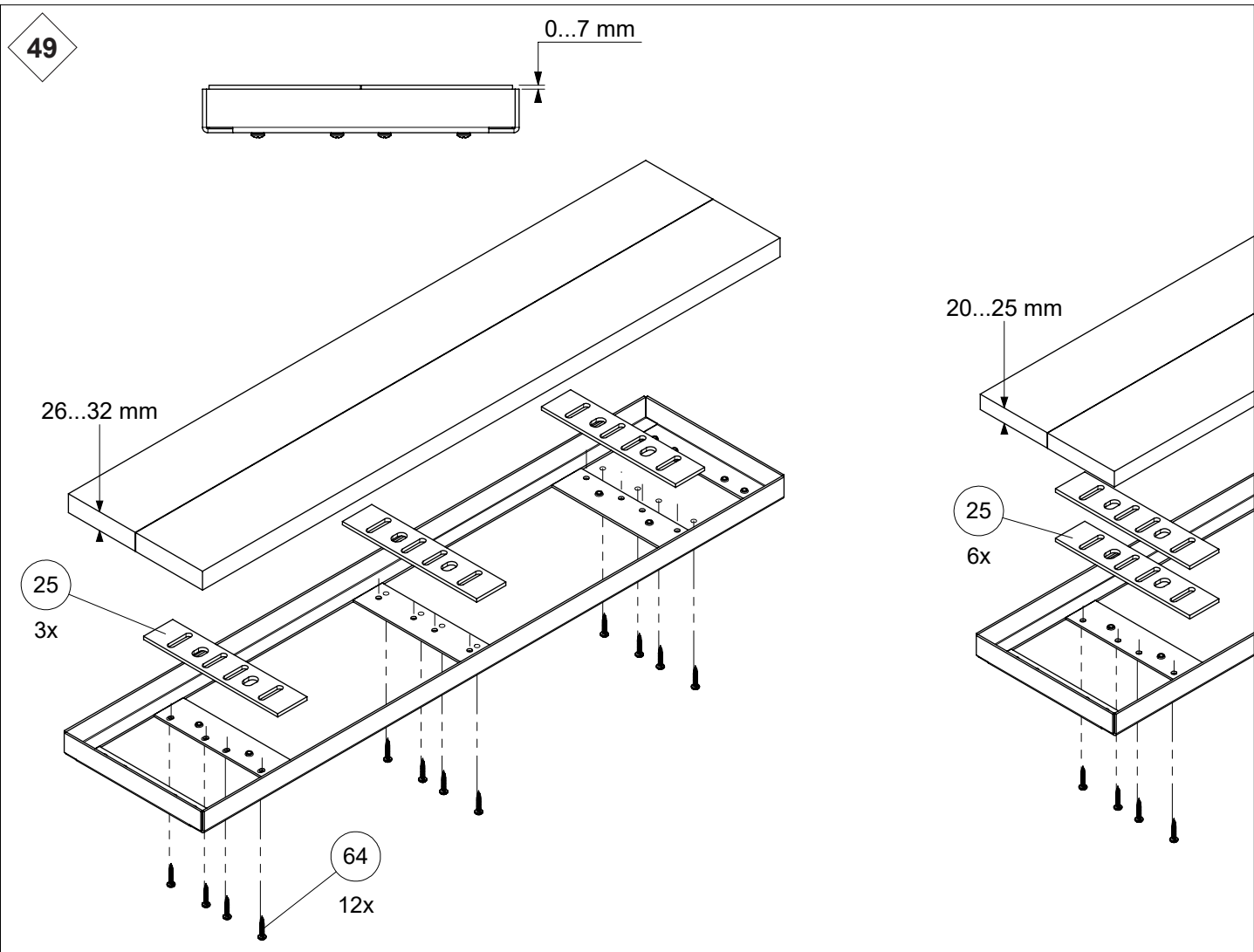
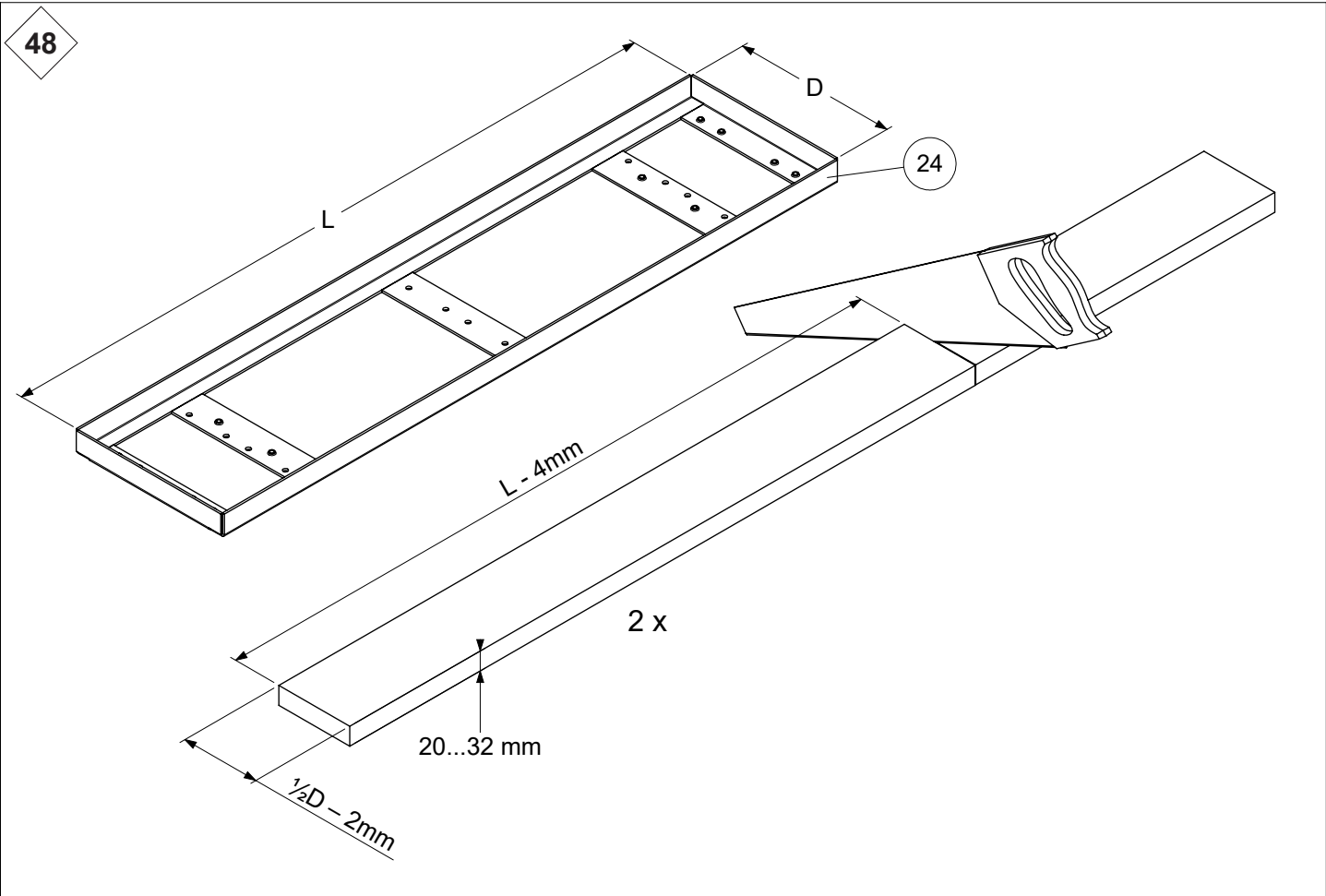
Concrete
Beton
40 x 40 x 80 cm

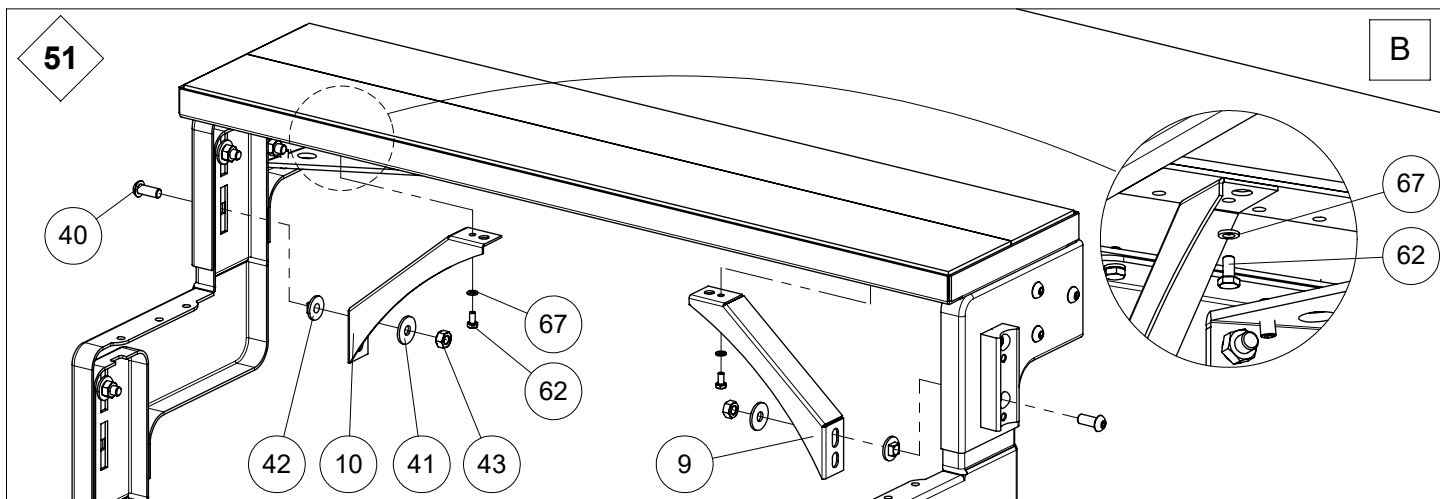
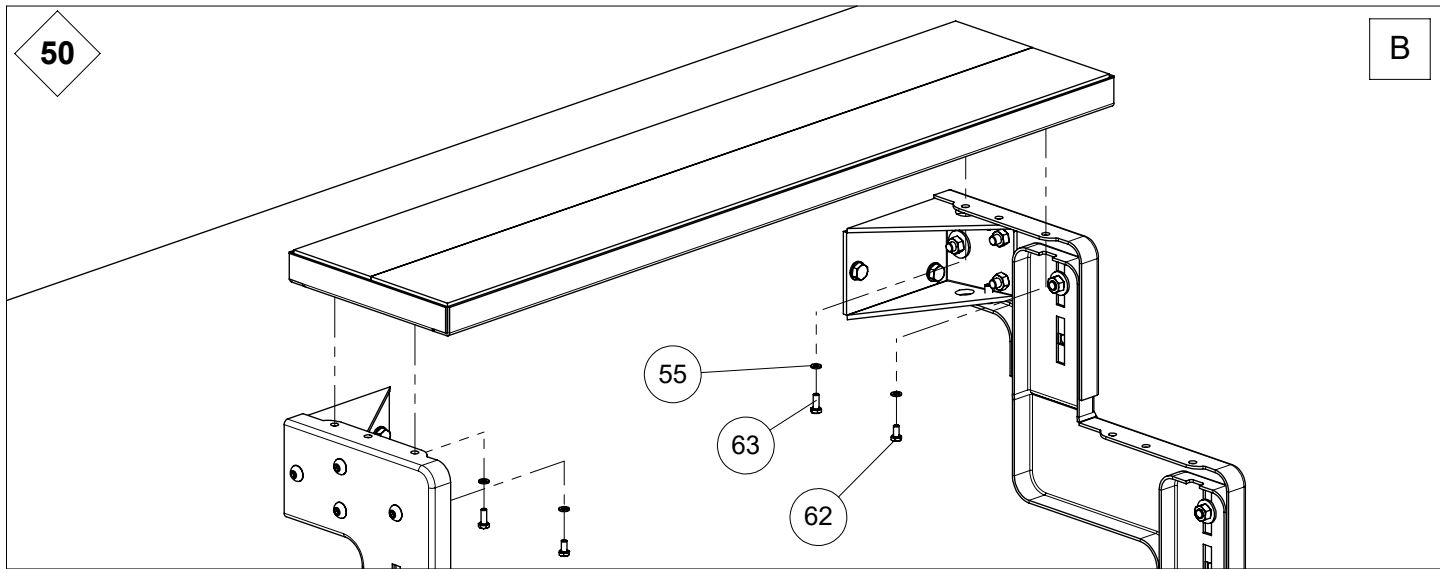
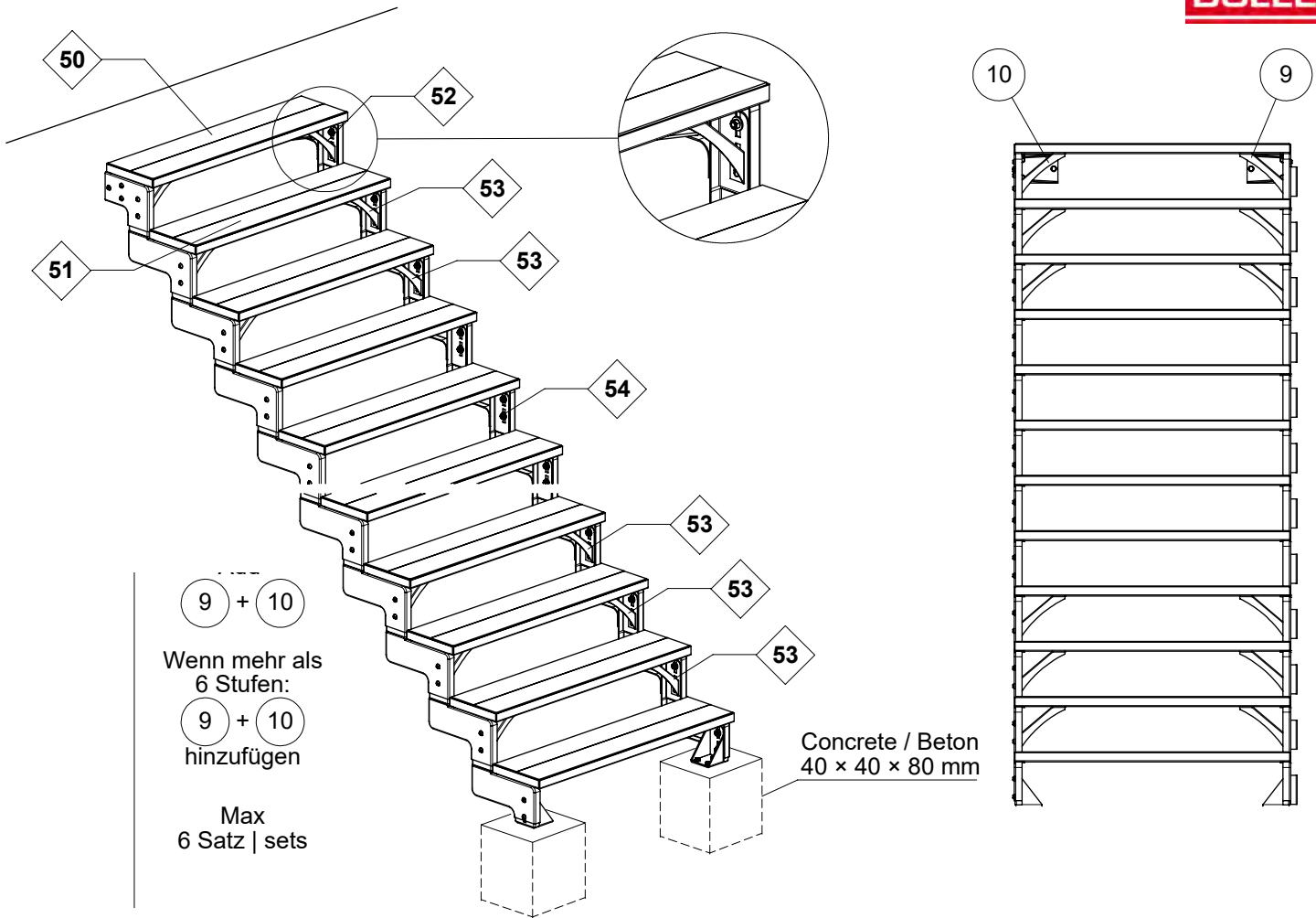
x 3

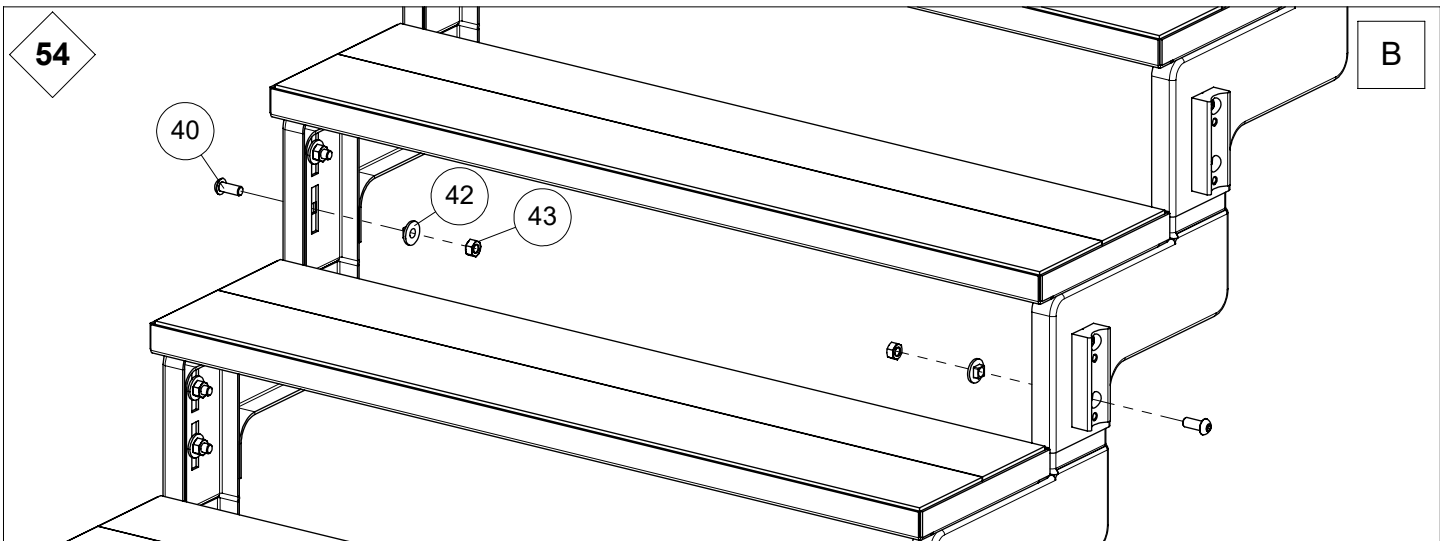
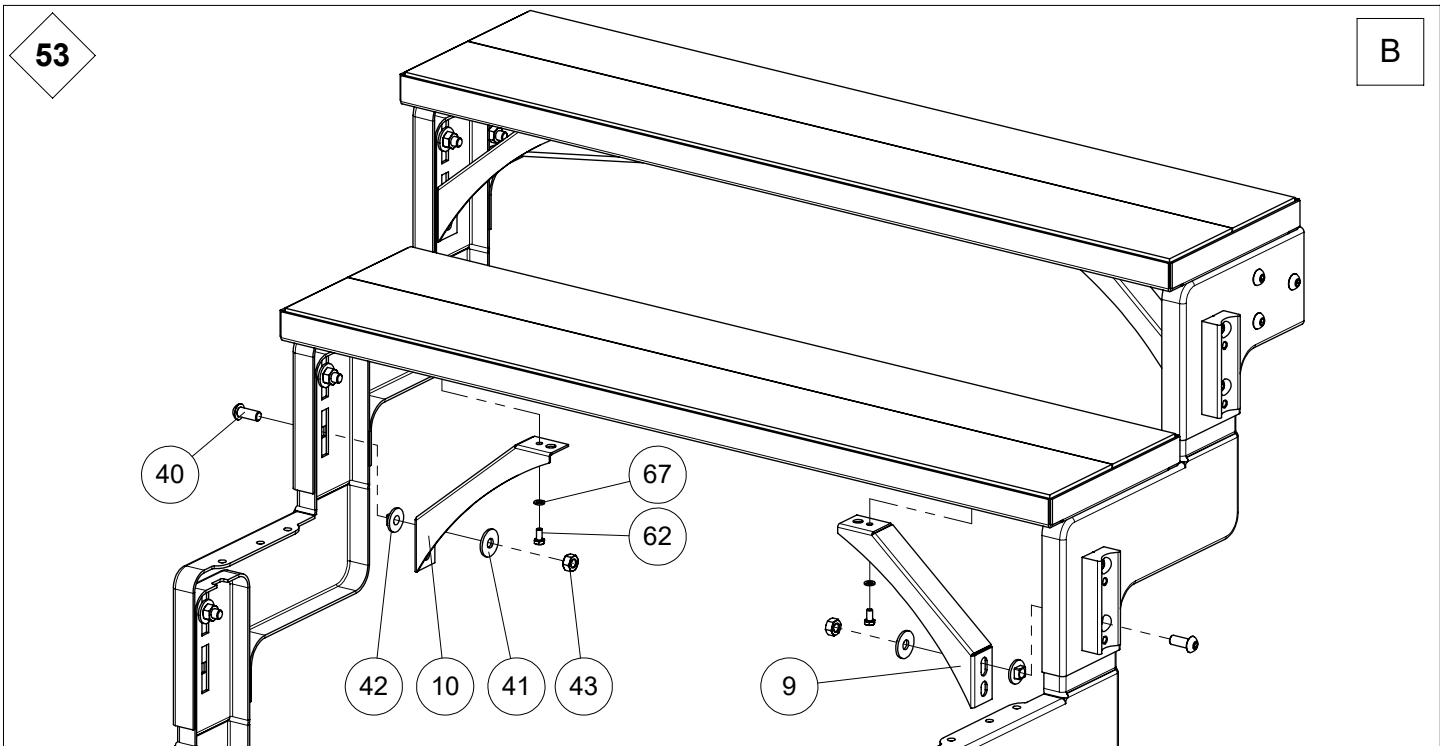
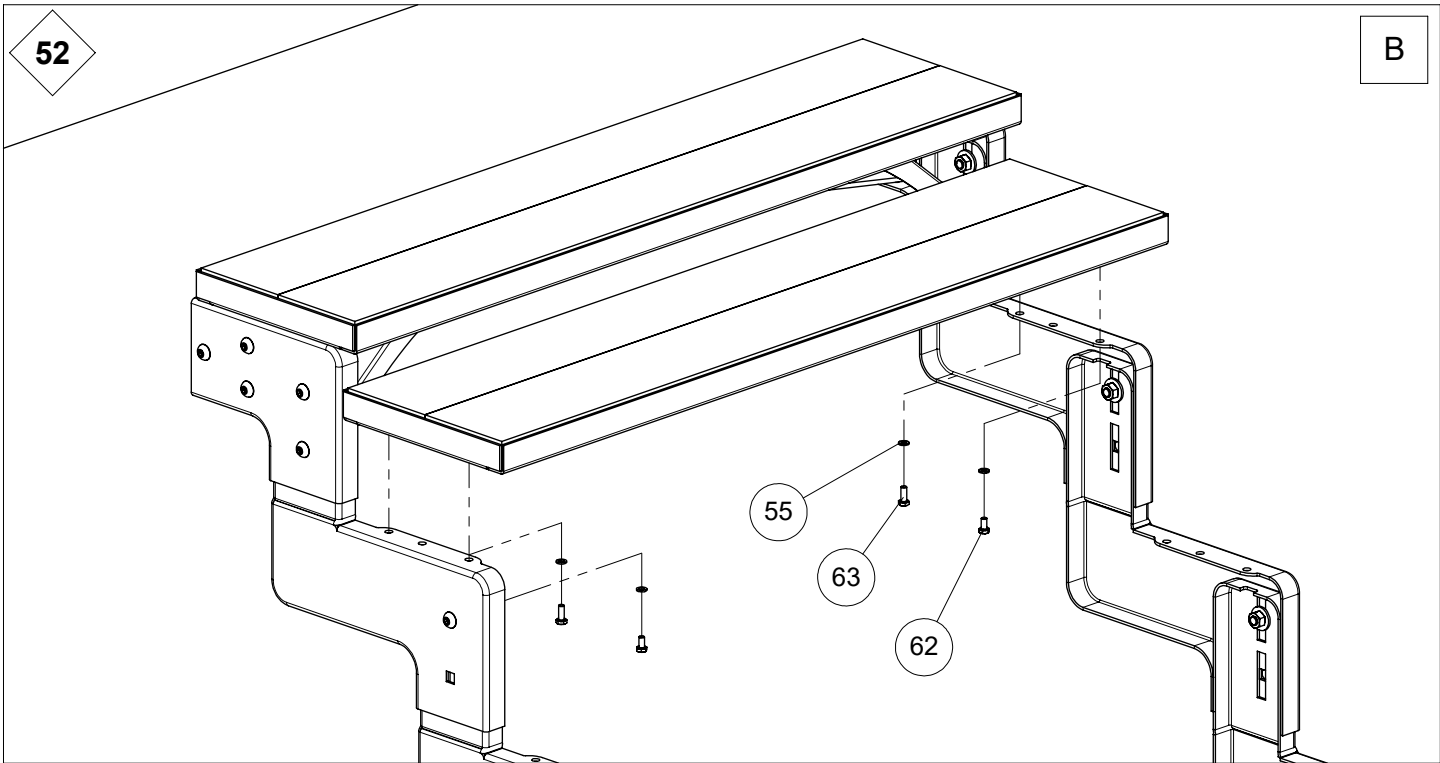
x 3

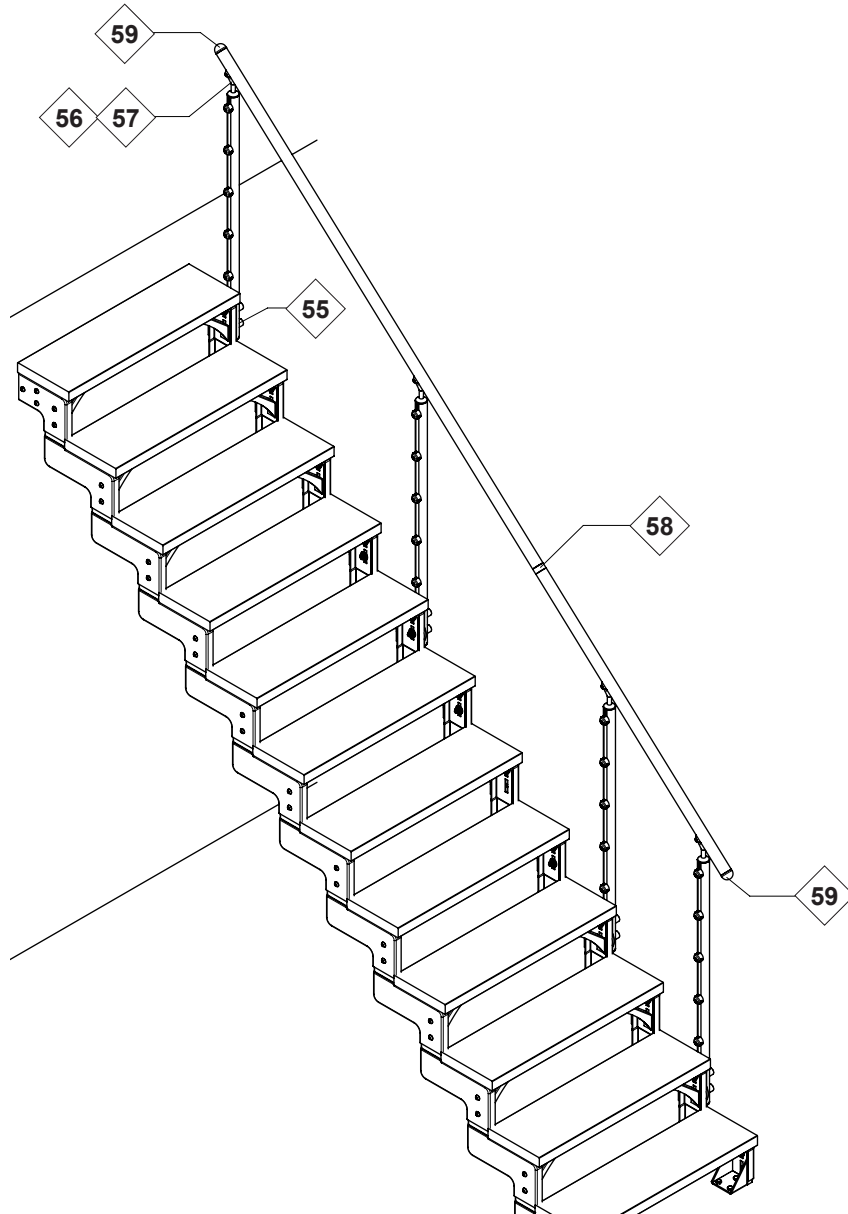
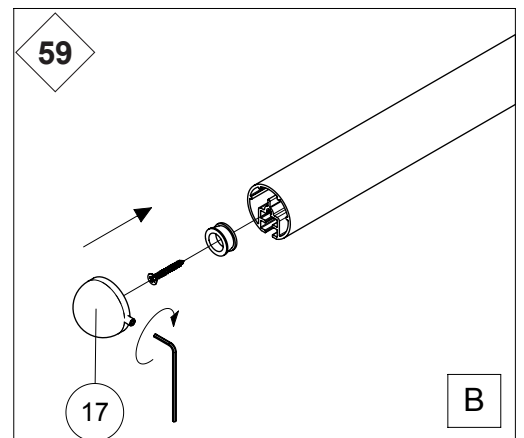
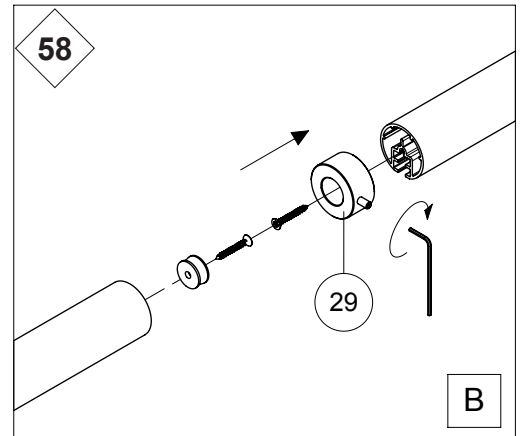
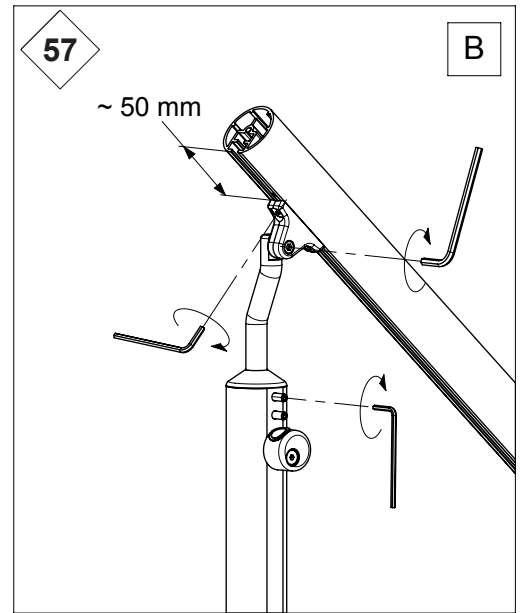
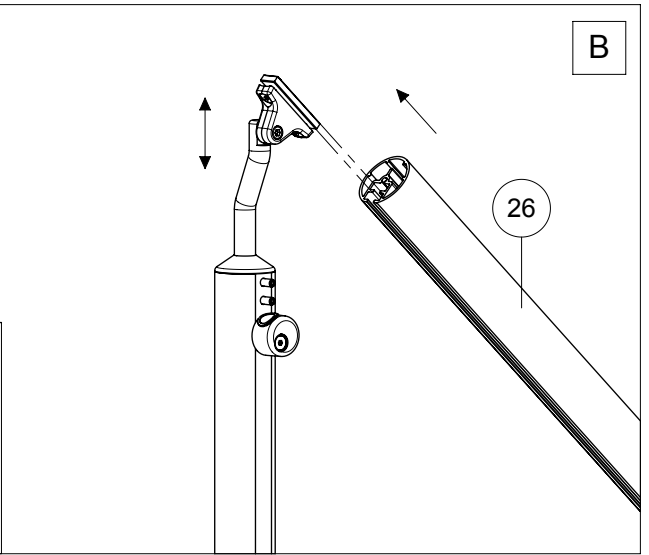
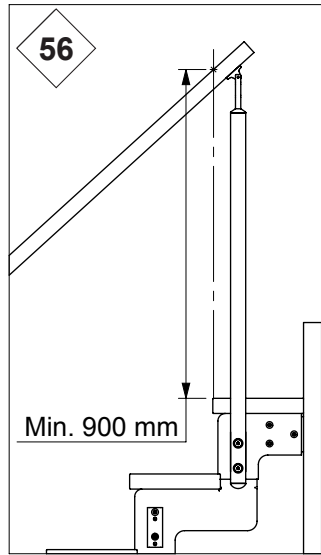
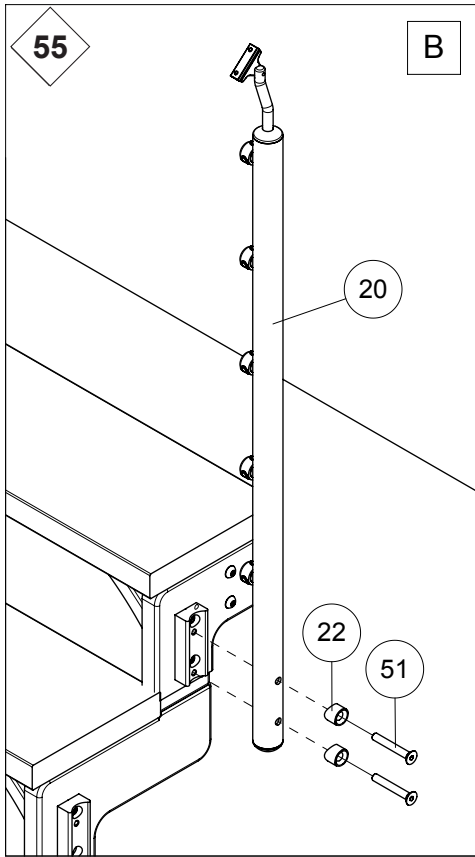
W

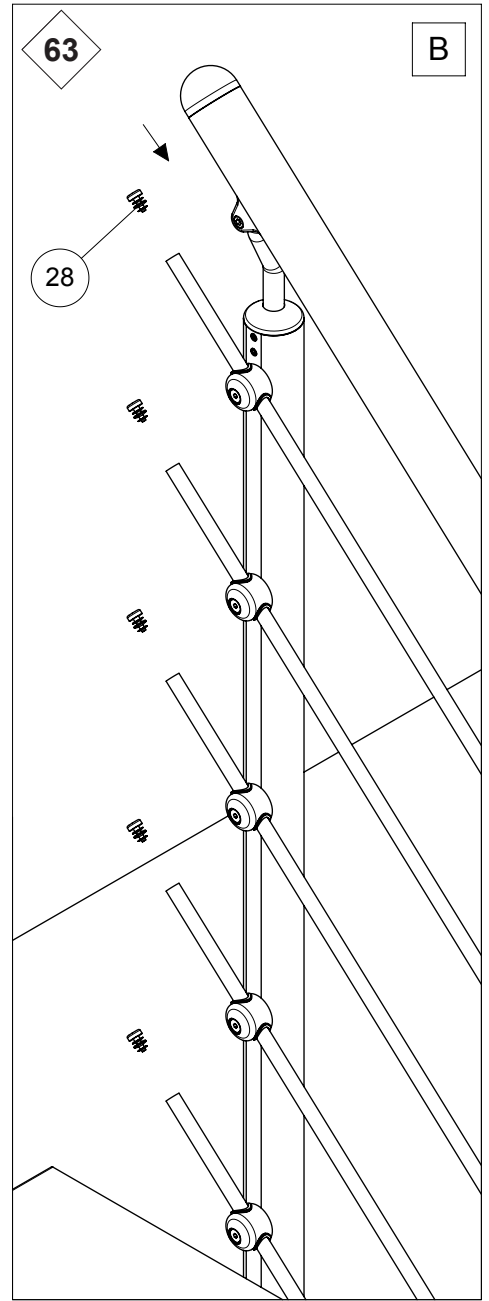
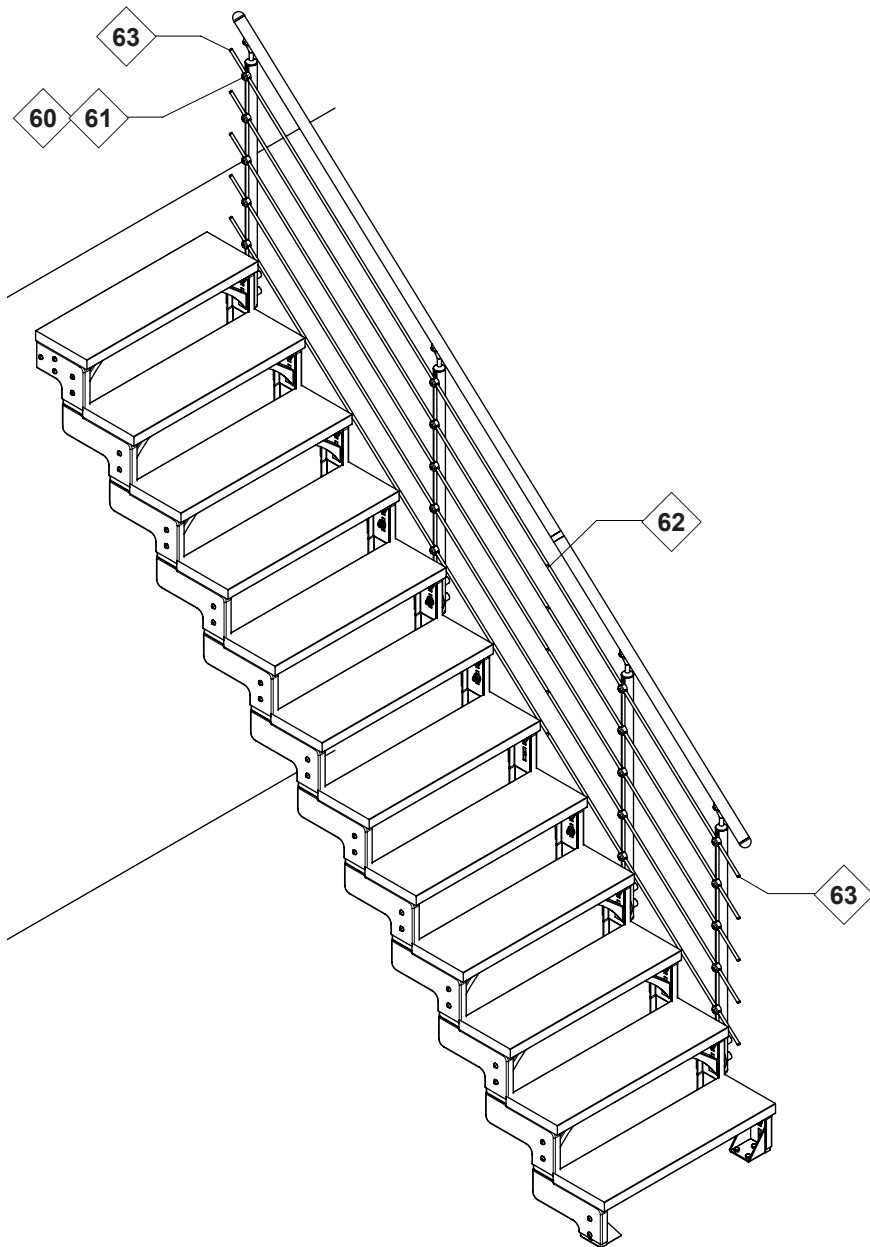
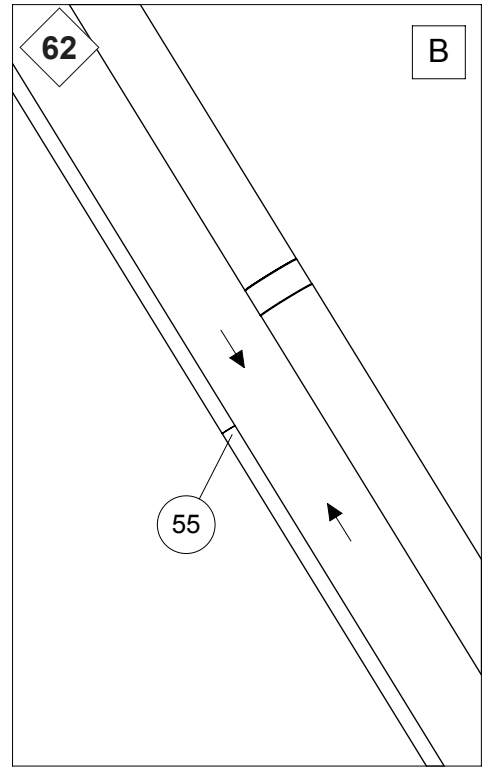
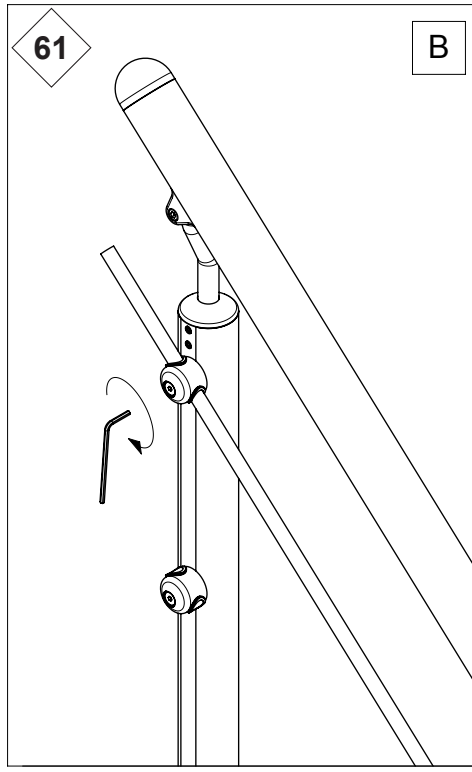
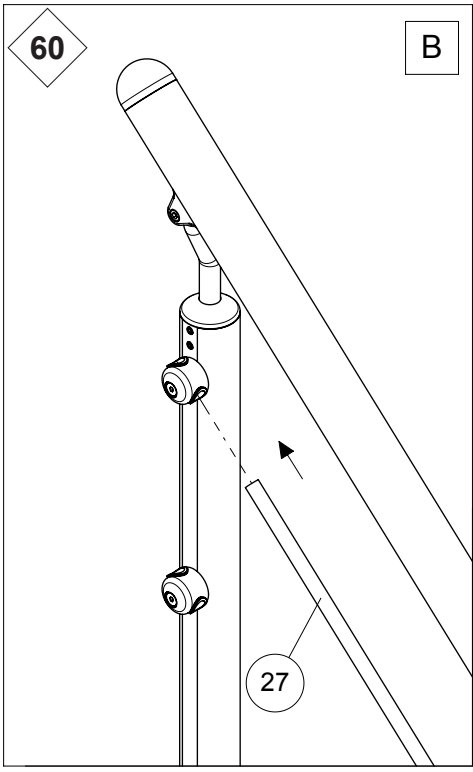















We recommend
using a support
column from 8 treads
and if $W = 100$ cm

Ab 8 Stufen und $W =$
 100 cm empfehlen
wir eine Abstützung
der Treppe

